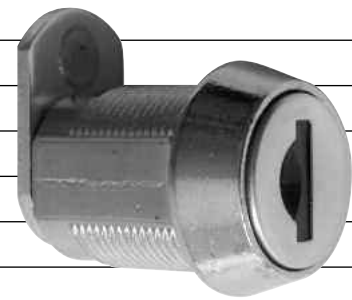
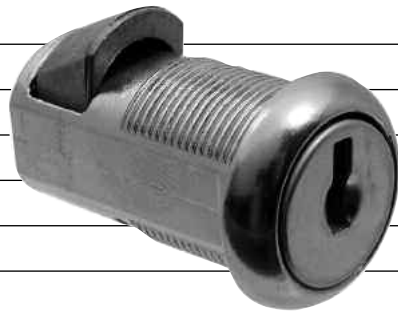
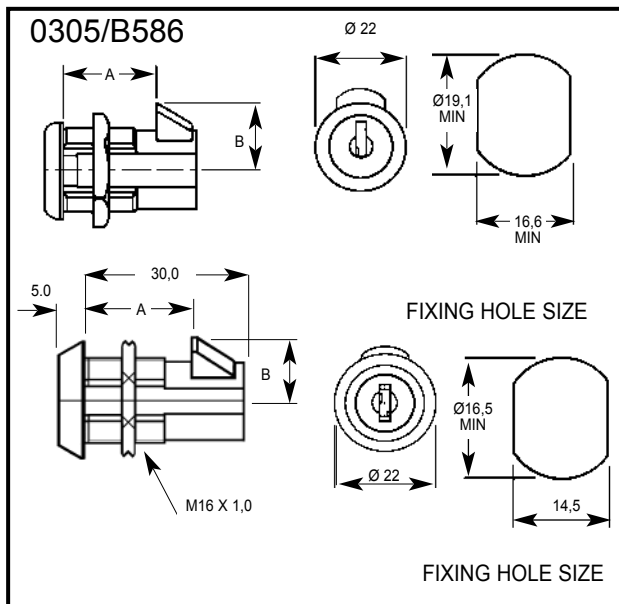


# Slamlocks Key Operated

# Slamlock 22.5mm



## 0305/5836



### PRODUCT REFERENCE NUMBERS

KEY SERIES	COMBINATIONS	NUT FIXED	CLIP FIXED	DIM A	DIM B
92 M	200	0305	0336	20	14.7
18 M	200	5836		20	12.0
89 D/E M	200	(B586)		21	14.0
66 M	500	B861		21	13.0
66 M	500	C432		21	14.7

M = MASTER KEY SYSTEM: SUPPLIED TO ORDER ONLY

STANDARD MOVEMENTS: 0305 = 1

5836 = 0 (SEE SECTION 13)

B586 = 2

B861+C432 = 08

STANDARD FINISH: 2A = BRIGHT CHROME

2C = SATIN CHROME

2B = BLACK CHROME

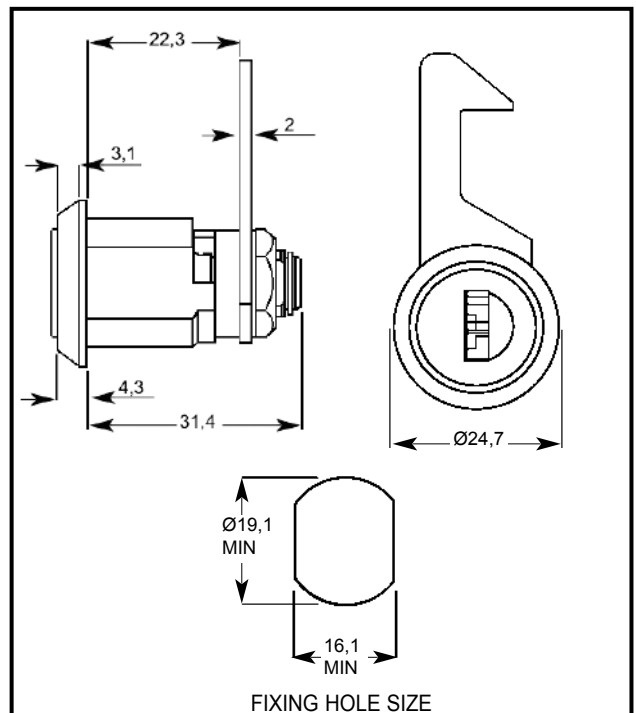
ACCESSORIES: SUPPLIED WITH DIECAST STRIKER PLATE,

RECOMMENDED FIXING SCREWS M3x8 (NOT SUPPLIED)

REF. NO.S IN ( ) APPLY TO LOCKS IN SHUTTERED VERSION

SLAM ACTION AVAILABLE WITH AND WITHOUT KEY

## B916



### PRODUCT REFERENCE NUMBERS

#### SHUTTERED VERSION

KEY SERIES	COMBINATIONS	NUT FIXED
89	200	B916

M = MASTER KEY SYSTEM: SUPPLIED TO ORDER ONLY

STANDARD MOVEMENT: 1

STANDARD FINISH: BRIGHT CHROME

THE CAM IS RETAINED BY A NUT

CAM SLAM ACTION POSSIBLE WITH OR WITHOUT KEY IN LOCK

COMPREHENSIVE RANGE OF CAMS AVAILABLE:  
REF SECTION 13

## LOWE & FLETCHER LTD

MOORCROFT DRIVE, WEDNESBURY, WEST MIDLANDS, ENGLAND WS10 7DE.

TELEPHONE: 0121 505 0400. FAX: 0121 505 0420. E-MAIL: sales@lowe-and-fletcher.co.uk WEB SITE: www.lowe-and-fletcher.co.uk