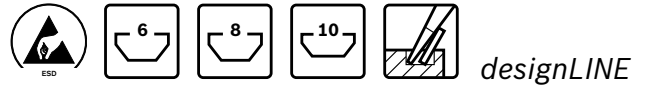


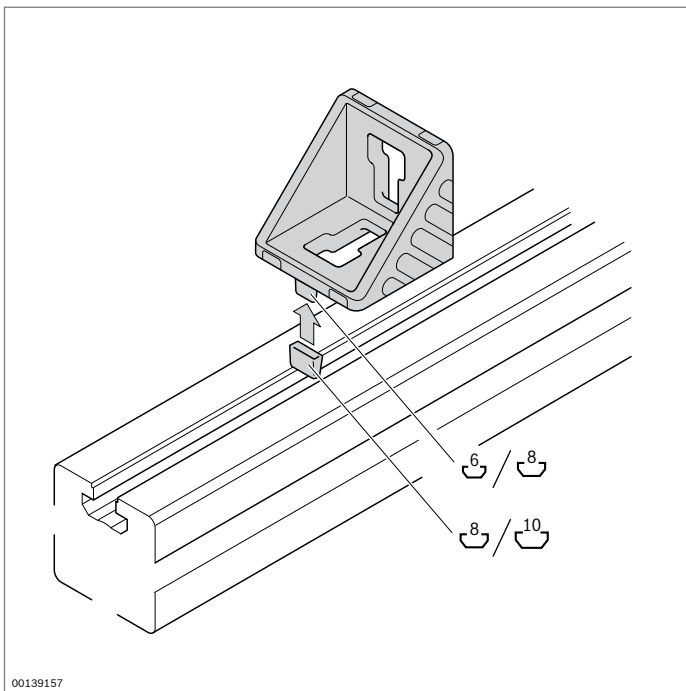
Bracket

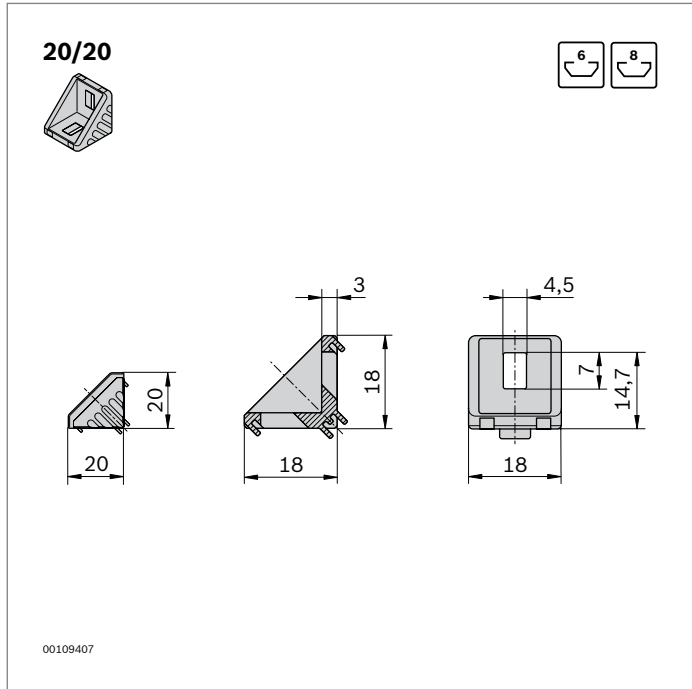


- ▶ Brackets with centering lugs for rapid, precise assembly with protection against turning
- ▶ Centering lugs can be easily broken off for assembly on plates or at right angles to the slot
- ▶ *designLINE* version with special silver paint (RAL 9006) for an attractive, high-quality design
- ▶ Intermediate element for positioning brackets in the next largest slot
- ▶ Offset sliding block for off-center positioning of the 45/45 bracket
- ▶ Cover cap to protect from dirt, available in signal gray (RAL 7004) and black ESD (RAL 9005)
- ▶ Profile finishing: not required

Technical data (p. 19-9)

Note: The collar screws enable the brackets to be assembled really quickly and easily (p. 3-5)



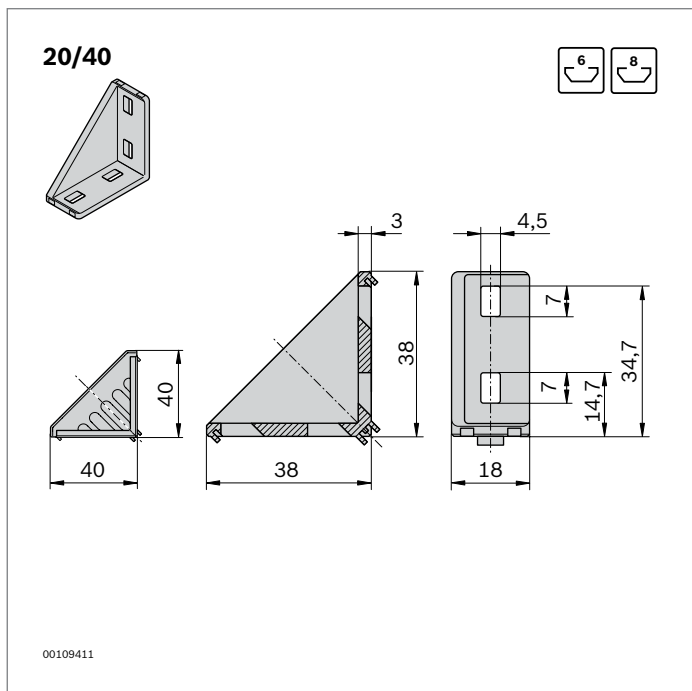
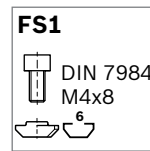


20/20	Slot	ESD		No.	FS
Set (standard)	6 / 6		1	3 842 523 511	2xFS1
<i>designLINE</i> set	6 / 6		1	3 842 551 596	2xFS1
Bracket (standard)	6		100	3 842 523 508	
Cover cap, signal gray			100	3 842 548 842	
Cover cap, black			20	3 842 548 843	
Intermediate element for 8 mm slot	6 / 8		100	3 842 523 516	

Material: Bracket: Diecast aluminum, vibratory ground
*designLINE*bracket: painted (RAL 9006)
 Adapter: PA; black
 Cover cap: PP
 Fastening material: steel; galvanized

Scope of delivery: set incl. fastening material (FS)

Type				
20/20	700 N	6 Nm	25 Nm	–



20/40	Slot	ESD		No.	FS
Set (standard)	6 / 6		1	3 842 523 520	4xFS1
<i>designLINE</i> set	6 / 6		1	3 842 551 597	4xFS1
Bracket (standard)	6		20	3 842 523 517	
Cover cap, signal gray			20	3 842 548 844	
Cover cap, black			20	3 842 548 845	
Adapter for 8 mm slot	6 / 8		100	3 842 523 516	

Material: Bracket: Diecast aluminum, vibratory ground
*designLINE*bracket: painted (RAL 9006)
 Adapter: PA; black
 Cover cap: PP
 Fastening material: steel; galvanized

Scope of delivery: set incl. fastening material (FS)

Type				
20/40	1400 N	15 Nm	50 Nm	8 Nm

