

Mod. G7580 - Fittings Series 7000 - Automation

Product code: G7580 16

Datasheet creation date: 12/12/2025 08:32

Check the most updated document online [click here](#)

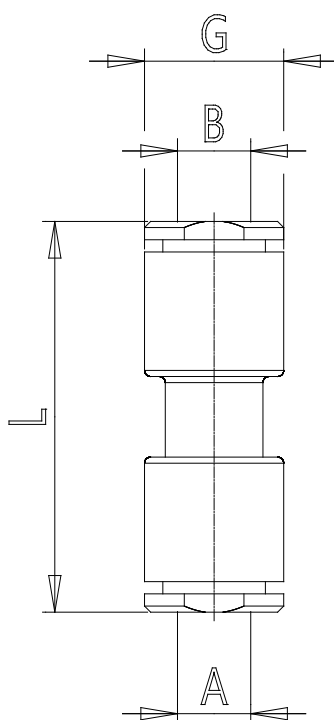


■ TECHNICAL DATA

Mod.	G7580 16
------	----------

Mod. G7580 - Fittings Series 7000 - Automation

Product code: G7580 16



DIMENSIONS

A (mm)	16
B (mm)	16
GD (mm)	27.0
L (mm)	60.0
Weight (g)	20.0