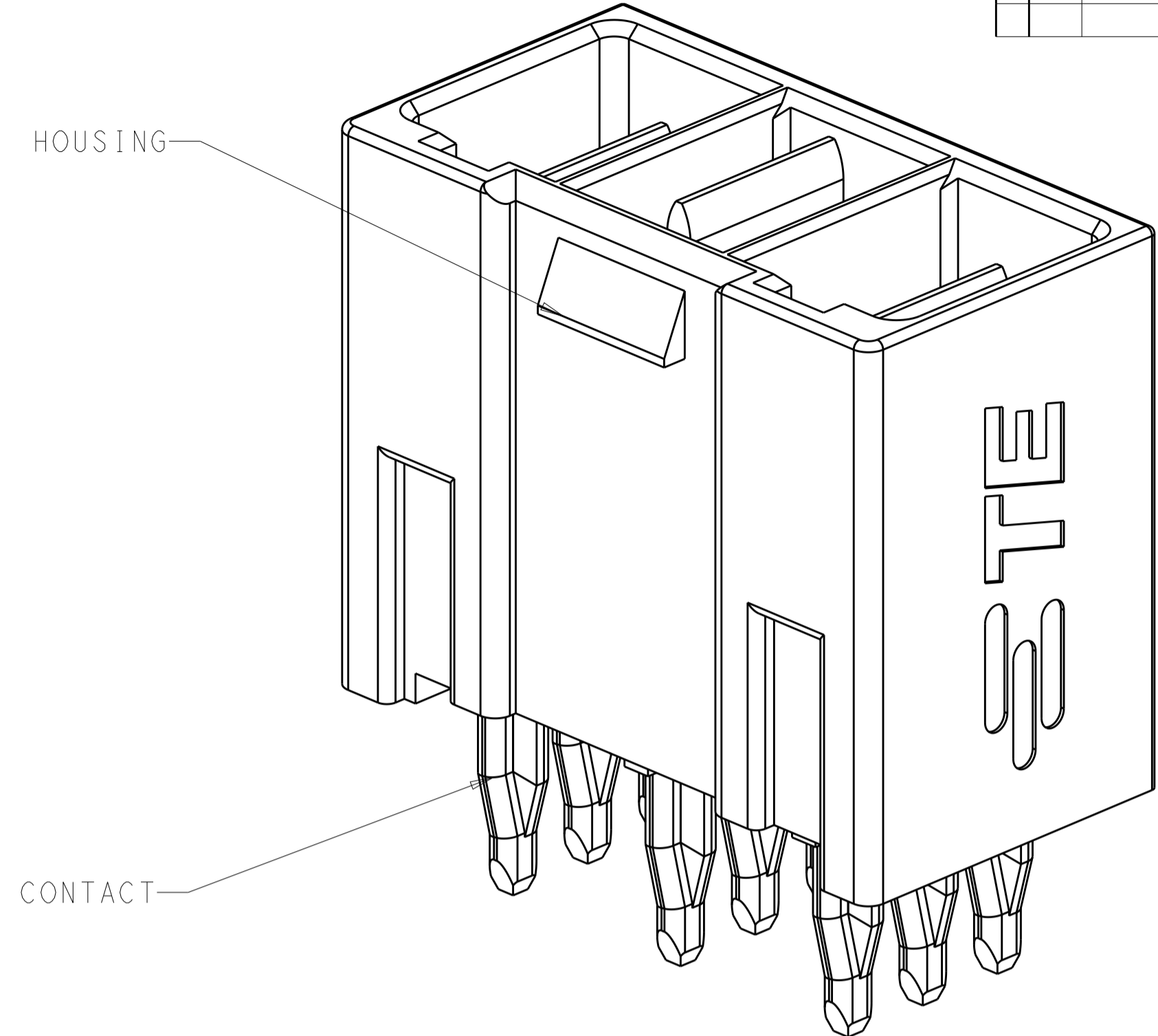
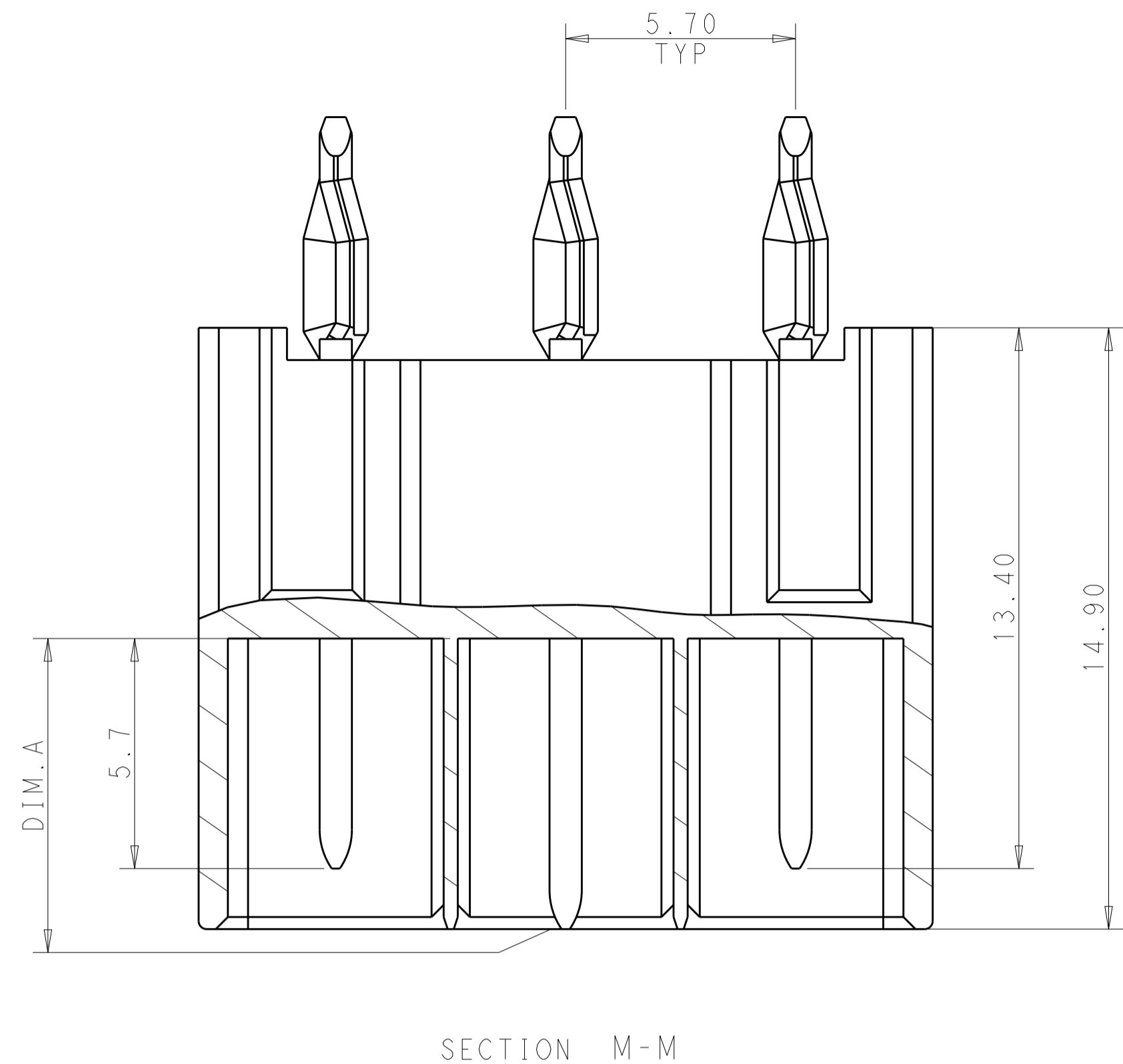
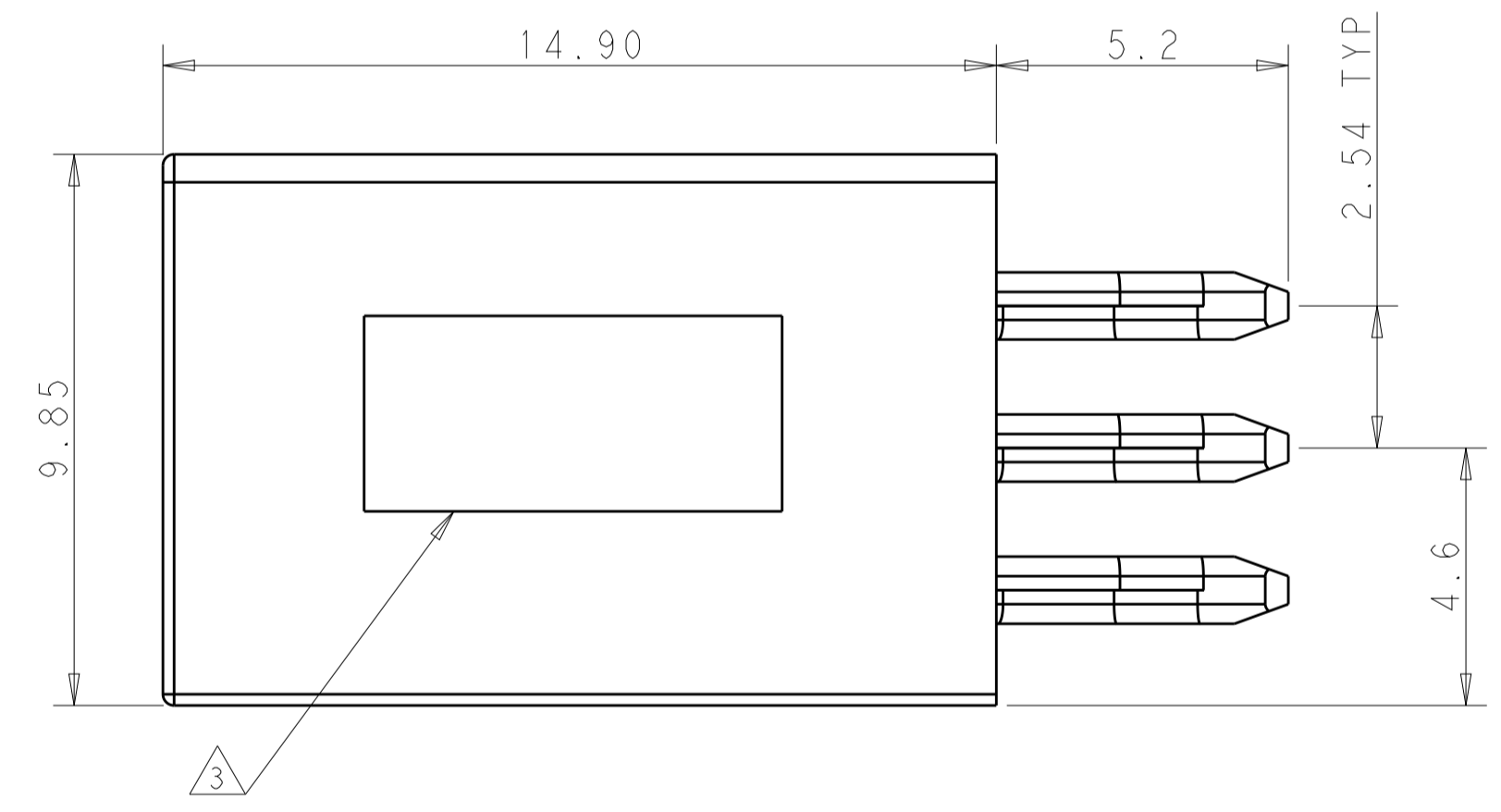
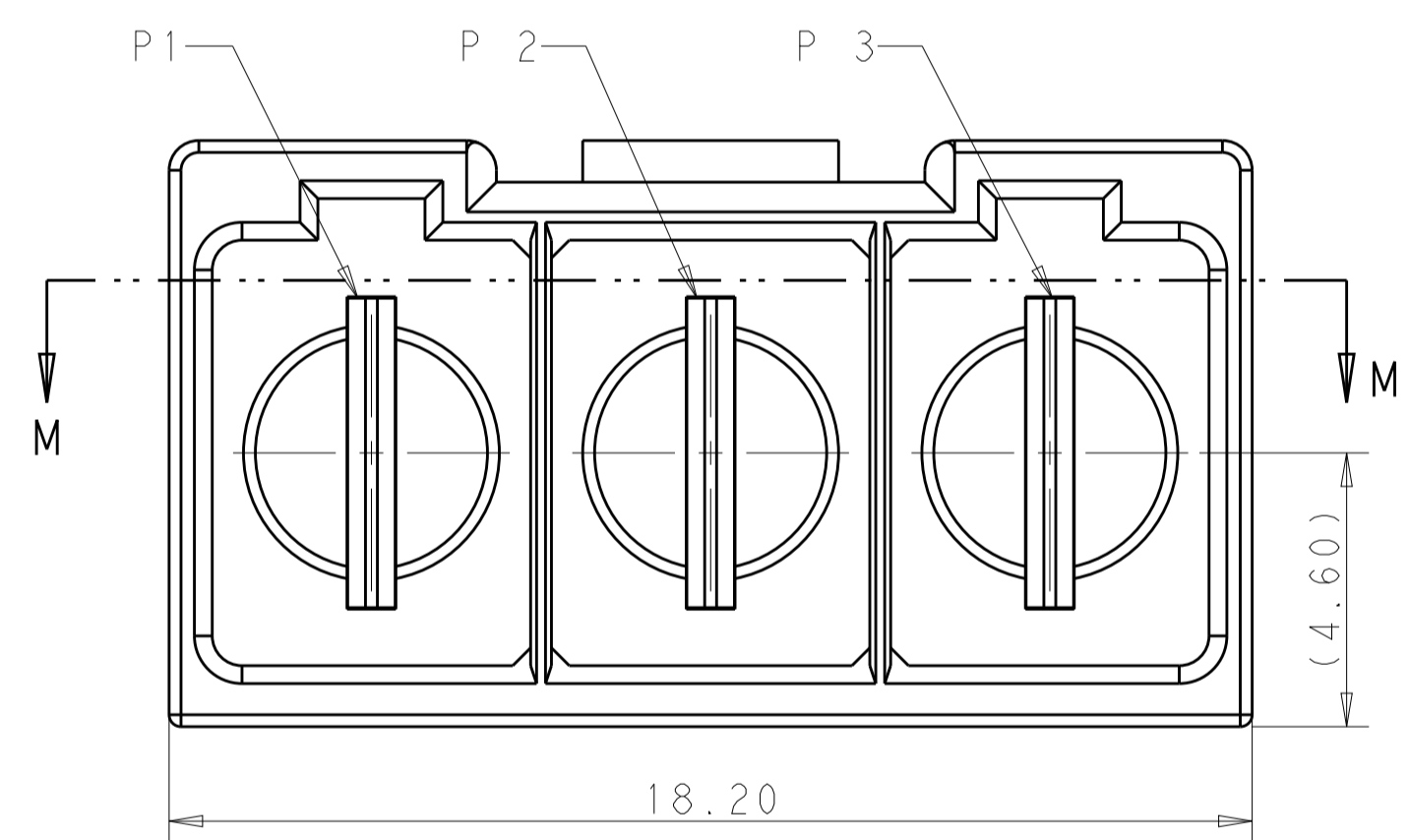


REVISIONS					
P.	LTN	DESCRIPTION	DATE	DWN	APVD
B2		ADD KAPTON TAPE FOR -7	26MAR2018	OL	SZ
B3		REV PER ECO-19-000285	09JAN2019	OL	SZ



PART NUMBER: 2204585-1



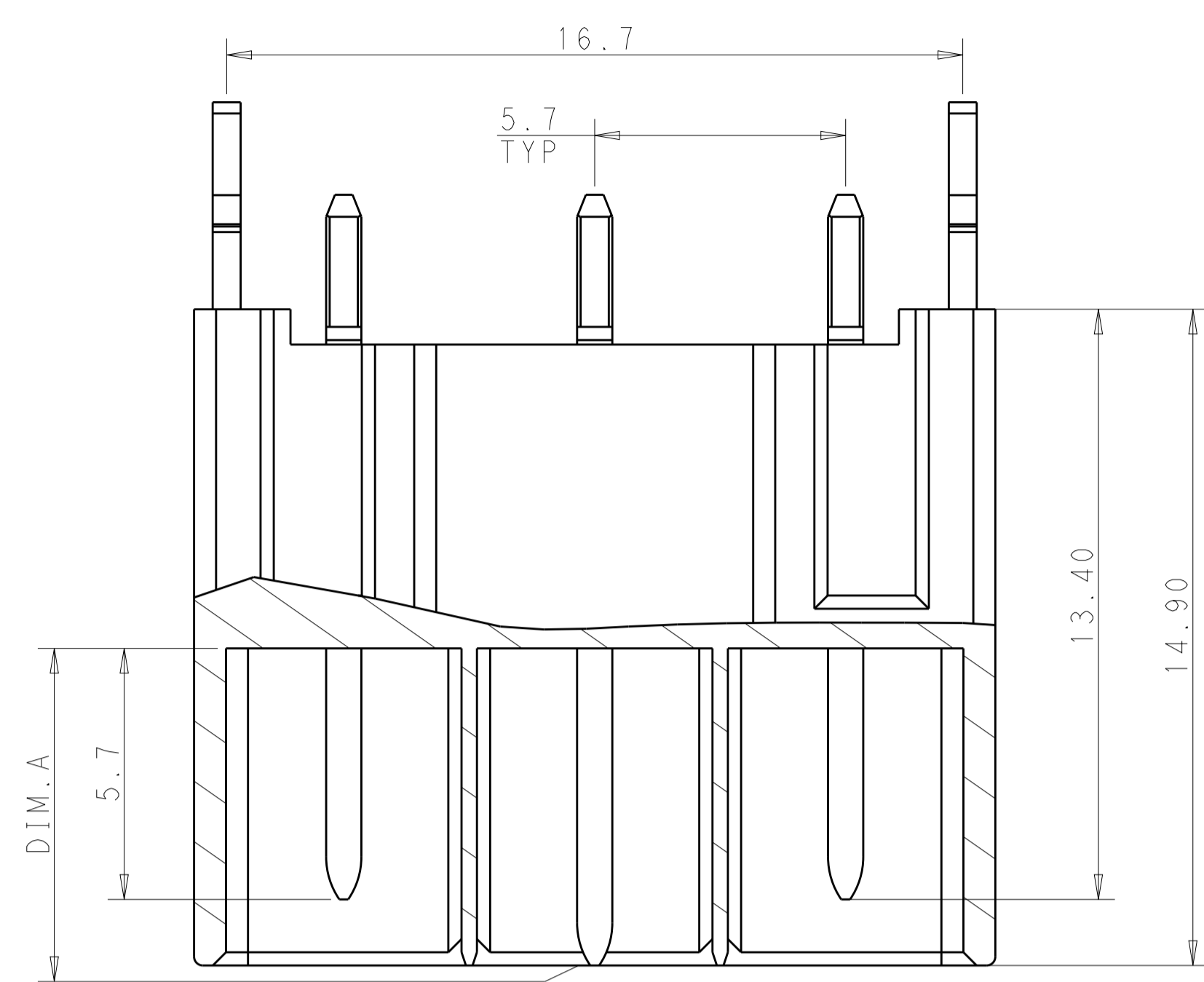
- ⚠ MATERIAL:
HOUSING: LCP BLACK, UL94V-0;
CONTACT AND RETENTION CLIP: COPPER ALLOY
- ⚠ PLATING:
POWER CONTACT: 3um SILVER OVER NICKEL AT CONTACT MATING AREA;
TIN OVER NICKEL AT TAIL AREA
RETENTION CLIP: TIN PLATED
- ⚠ "TE", PART NUMBER AND DATECODE TO BE MARKED IN AREA SHOWN
- ⚠ DATUM AND BASIC DIMENSIONS ESTABLISHED BY CUSTOMER
- ⚠ UNPLATED THROUGH HOLE, REQUIRED FOR SOLDER VERSION ONLY (2204585-2 AND 2204585-4)
- ⚠ PLATED THROUGH HOLE DIMENSIONS.
DRILLED HOLE: $\varnothing 1.6 \pm 0.025$ mm
Cu-THICKNESS: 0.025 TO 0.075 mm
Sn THICKNESS: 0.004 TO 0.010 mm
FINISHED HOLE: $\varnothing 1.39 +0.15/-0.0$ mm

NOT YET TOOLED
NOT YET TOOLED

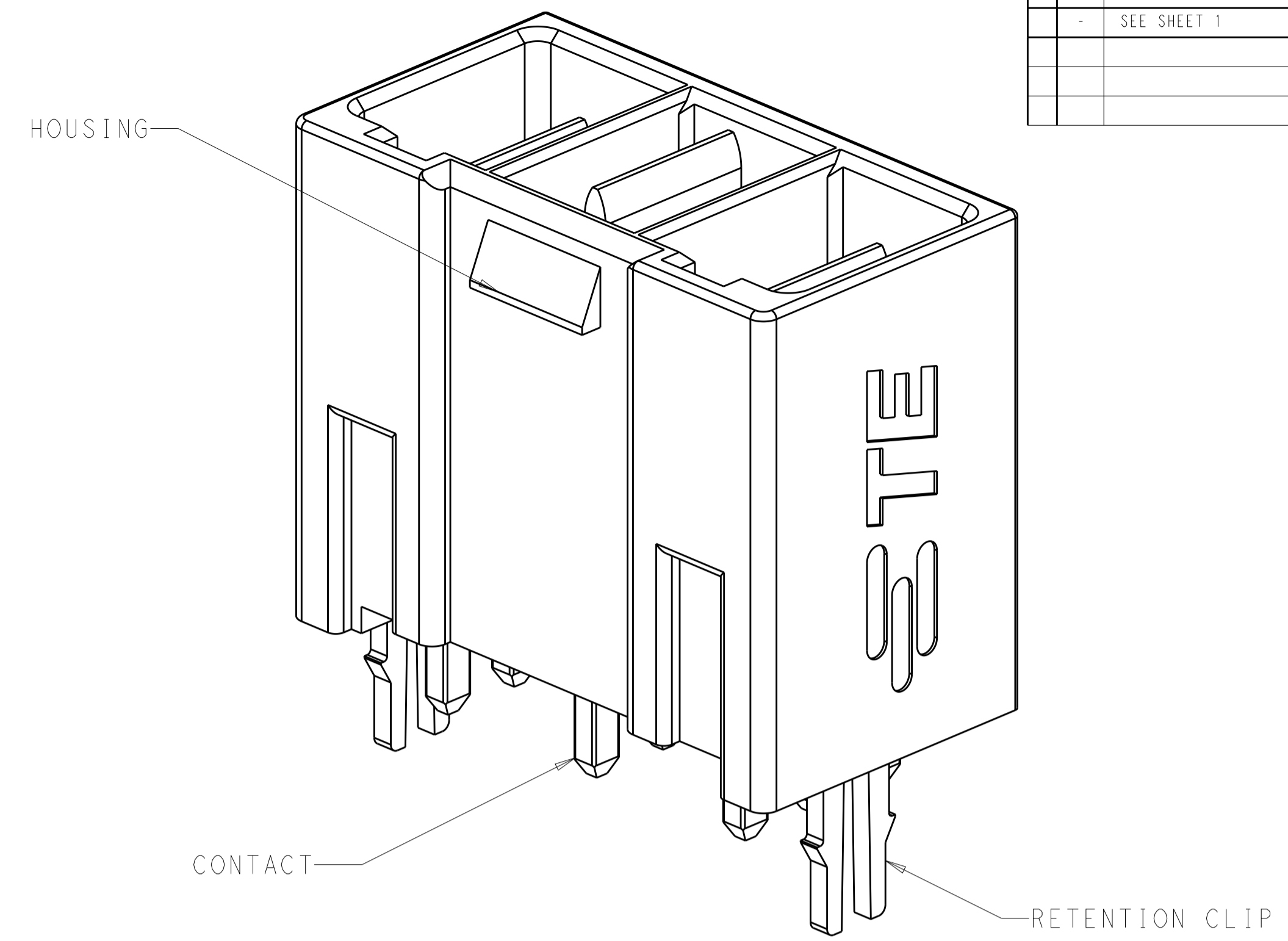
GROUND (7.2mm)	SOLDER	NO	2204585-7
POWER (5.7mm)	SOLDER	YES	2204585-6
POWER (5.7mm)	PRESS-FIT	YES	2204585-5
POWER (5.7mm)	SOLDER	NO	2204585-4
POWER (5.7mm)	PRESS-FIT	NO	2204585-3
GROUND (7.2mm)	SOLDER	NO	2204585-2
GROUND (7.2mm)	PRESS-FIT	NO	2204585-1
MIDDLE CONTACT (DIM.A)	TYPE	PROBE PROOF (SIDE PINS)	PART NUMBER

THIS DRAWING IS A CONTROLLED DOCUMENT.		DWN: SEAN ZHANG 22JUL2015	TE Connectivity
DIMENSIONS: mm		CHK: SUNY ZHAO 22JUL2015	
TOLERANCES UNLESS OTHERWISE SPECIFIED:		APVD: SUNY ZHAO 22JUL2015	NAME: 3-POSITION HEADER, VERTICAL ELCON Mini POWER CONNECTOR
0 PLC ± 1 PLC ±0.5 2 PLC ±0.25 3 PLC ± 4 PLC ± ANGLES ± FINISH ±		PRODUCT SPEC: 108-128027	SIZE: A1
MATERIAL: SEE NOTES ⚠		APPLICATION SPEC: 114-128029	CAGE CODE: -
SEE NOTES ⚠		WEIGHT: -	SCALE: 4:1
CUSTOMER DRAWING		RESTRICTED TO: -	SHEET 1 OF 3
		REV: B3	

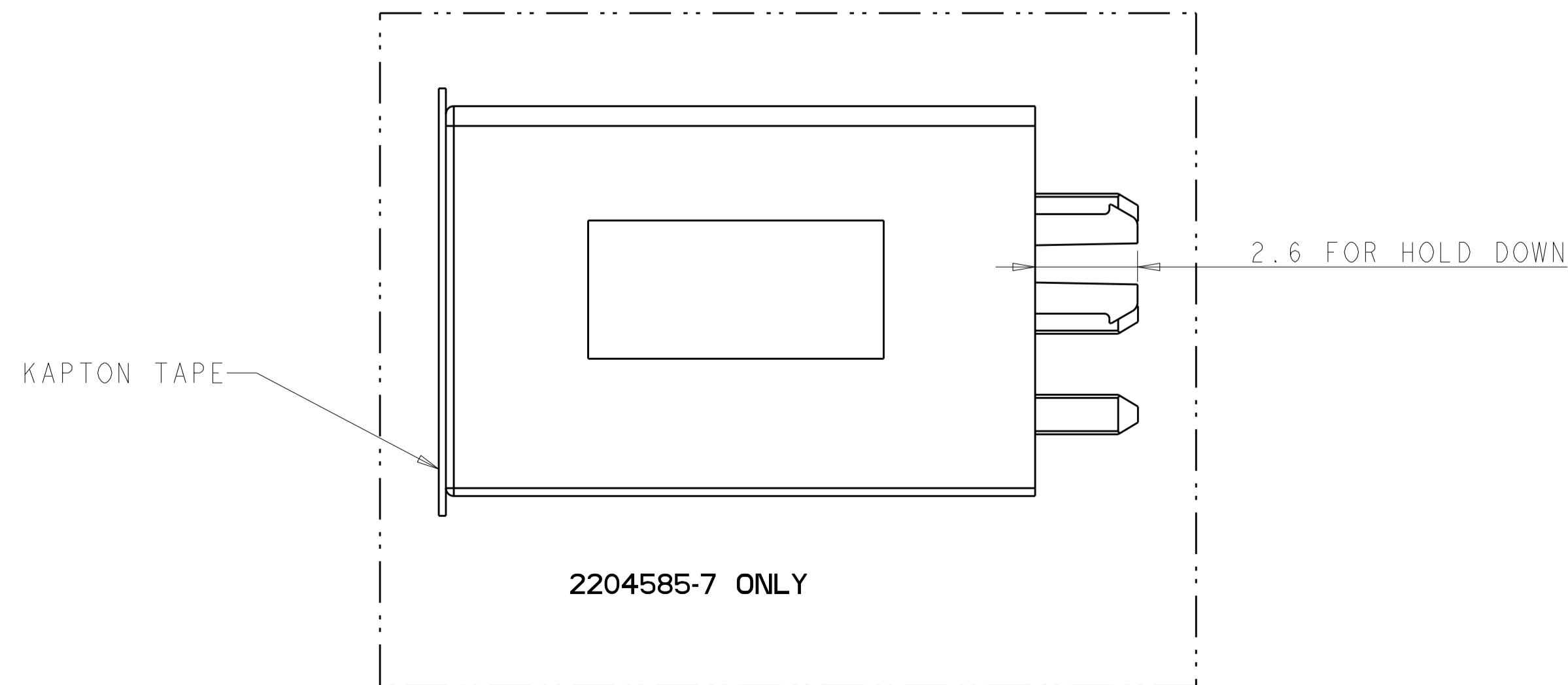
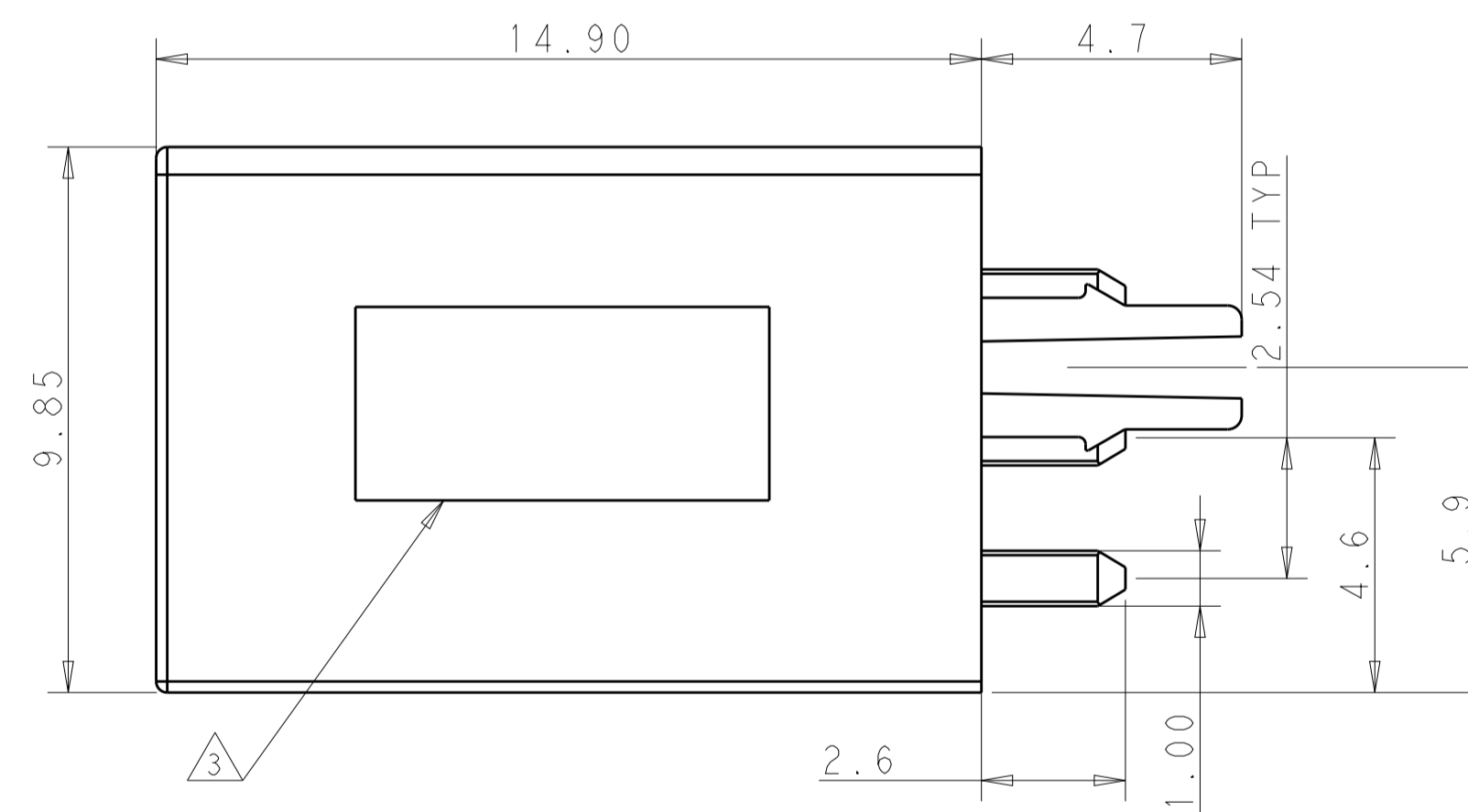
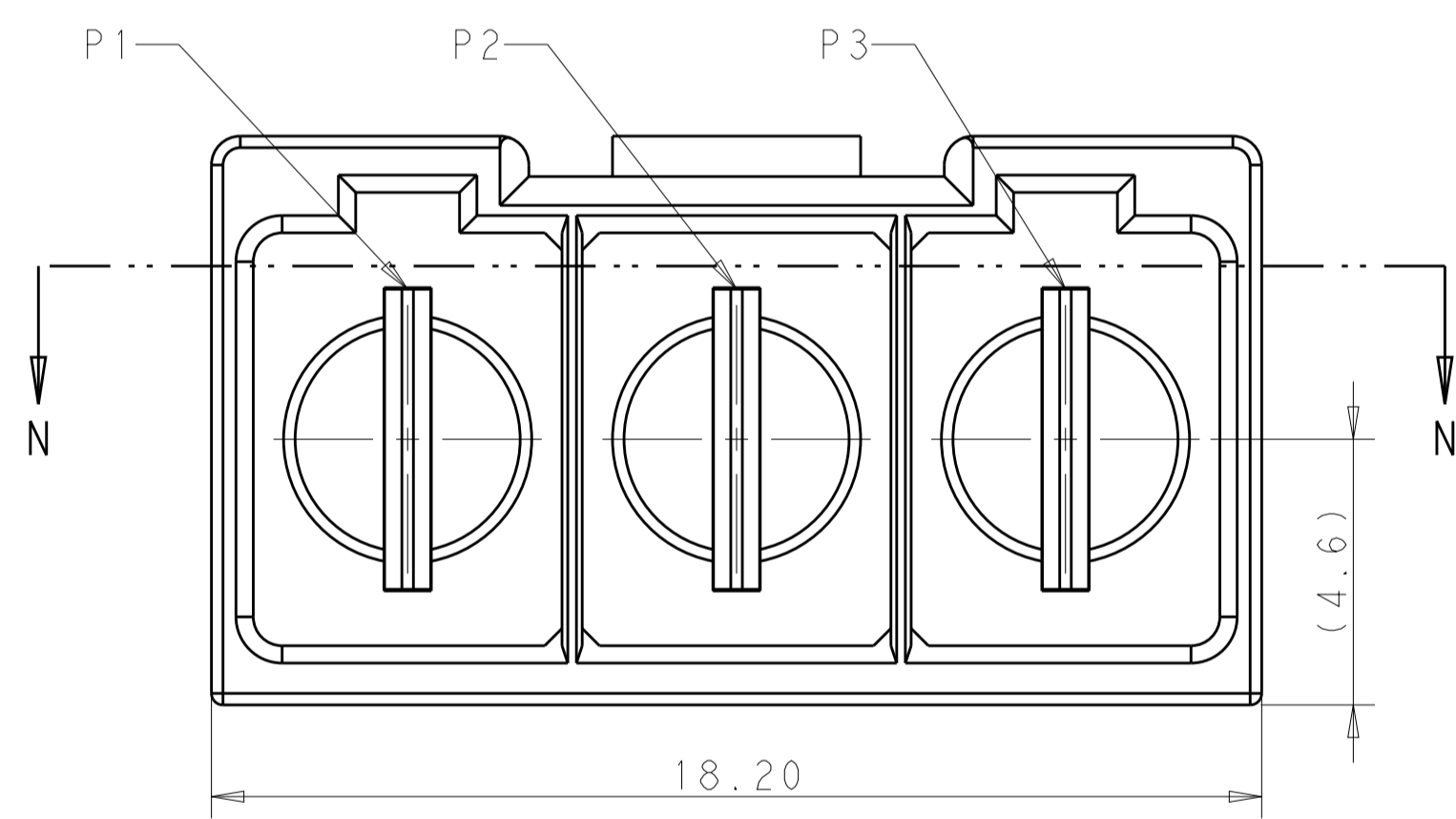
REVISIONS				
P.	LTN	DESCRIPTION	DATE	APPD
-	-	SEE SHEET 1	-	-



SECTION N-N



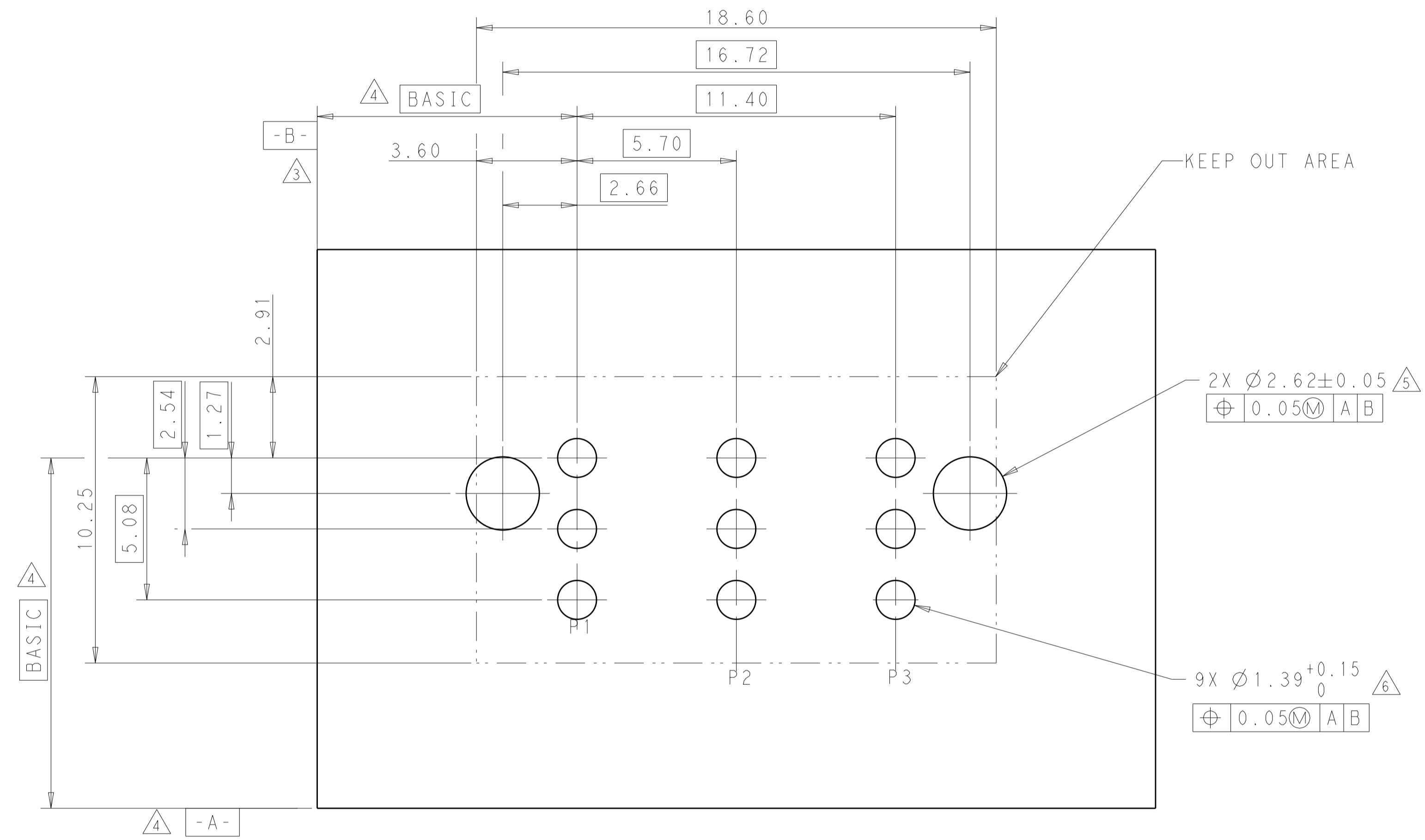
PART NUMBER: 2204585-2



2204585-7 ONLY

THIS DRAWING IS A CONTROLLED DOCUMENT.		OWN: SEAN ZHANG 22JUL2015	TE Connectivity
DIMENSIONS: mm		CHK: SUNY ZHAO 22JUL2015	
TOLERANCES UNLESS OTHERWISE SPECIFIED:		APPD: SUNY ZHAO 22JUL2015	NAME: 3-POSITION HEADER, VERTICAL ELCON Mini POWER CONNECTOR
0 PLC ±	1 PLC ±0.5	PRODUCT SPEC: 108-128027	SIZE: A1
2 PLC ±0.25	3 PLC ±	APPLICATION SPEC: 114-128029	CAGE CODE: C=2204585
4 PLC ±	ANGLES ±	WEIGHT: -	RESTRICTED TO: -
MATERIAL: SEE NOTES	FINISH: SEE NOTES	CUSTOMER DRAWING	SCALE: 4:1 SHEET 2 OF 3 REV: B.3

REVISIONS				
P.	LTN	DESCRIPTION	DATE	APVD
-	-	SEE SHEET 1	-	-



RECOMMENDED PCB LAYOUT
 VIEW FROM COMPONENT SIDE

THIS DRAWING IS A CONTROLLED DOCUMENT.		DWN: SEAN ZHANG 22JUL2015 CHK: SUNY ZHAO 22JUL2015 APVD: SUNY ZHAO 22JUL2015	TE Connectivity	
DIMENSIONS: mm	TOLERANCES UNLESS OTHERWISE SPECIFIED: 0 PLC ± 1 PLC ±0.5 2 PLC ±0.25 3 PLC ± 4 PLC ± ANGLES ±	NAME: 3-POSITION HEADER, VERTICAL ELCON Mini POWER CONNECTOR PRODUCT SPEC: 108-128027 APPLICATION SPEC: 114-128029	SIZE: A1 CAGE CODE: - DRAWING NO: C=2204585	RESTRICTED TO: - SCALE: 4:1 SHEET: 3 OF 3 REV: B3
MATERIAL: SEE NOTES	FINISH: SEE NOTES	WEIGHT: -	CUSTOMER DRAWING	