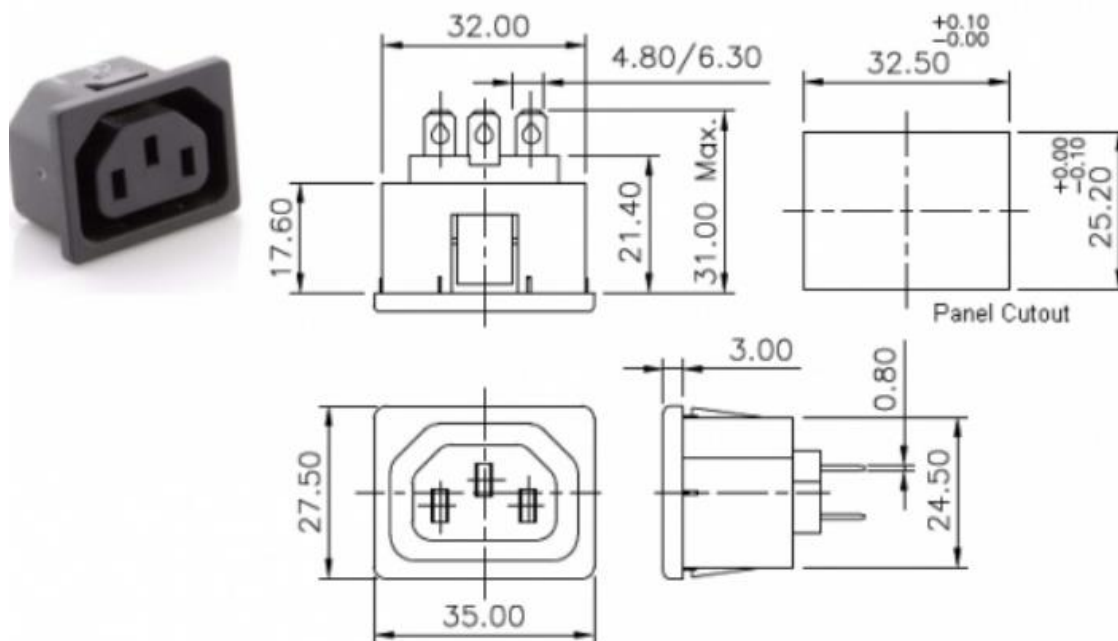


## Datasheet

# C13 Female Straight Panel Mount IEC Connector, Solder/Faston Termination, Rated At 15A, 250 V ac

RS Stock number [776-9138](#)

Approvals: 



## Specification

Mounting Style:	Panel, Snap-in type
Terminals:	Solder-type or Fast-on 4.8 or 6.3
Reference Standard:	IEC 60320-1
Permissible Temp With/Without Load:	0 deg. C to +70 deg. C
Permissible Temp For Soldering:	270 deg. C for 5 seconds max.
Panel Thickness:	Standard - 1.5 (C), Other (on request)
Material - Terminals:	Copper alloy, Tin plated
Material - Body:	Nylom-6, GF 20%, V2
Insulation Resistance at 500 V DC:	1000 M Ohms min.
H. V. Break Down Test:	2 KV AC for 1 minute
Contact Resistance (Initial):	10 m Ohms Max.
Current & Voltage Rating:	10 Amps (VDE), 15 Amp (UL, CSA) 250 VAC
Approvals:	VDE, CE, UL(C,US)