

# Datasheet

## Adjustable Leveling Foot

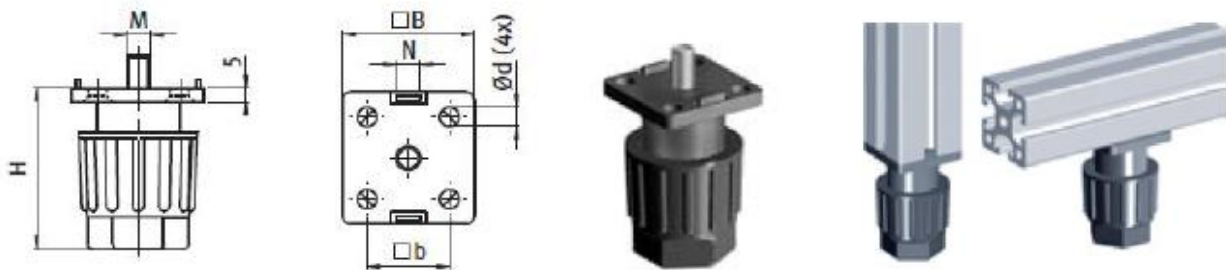
*Nylon PA*

**Description** Leveling foot fastening to aluminum profiles, height adjustable without tool

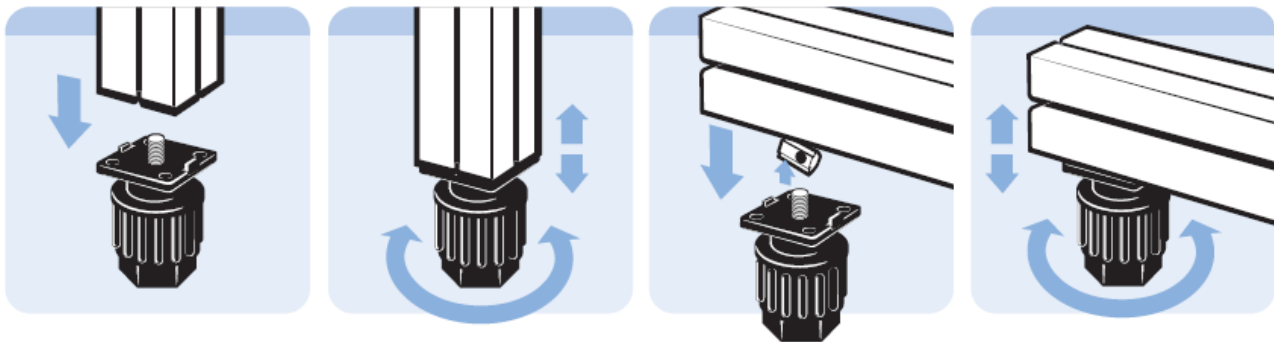
**Material** Housing: Nylon PA, glass filled reinforced  
Mechanism: Zinc plated steel

**Color** Black

**Max. Load** 150 kg



B [mm]	H [mm]	N M	b [mm]	Ød [mm]	Weight [g]
40	45-65	8 M8	28.0	6.5	78.0



For Profile 40, groove size 8 system ONLY

RS Article no.	Product Description	Compatible with groove size	Product system	Structural element type
7675819	Level Adj Foot, Profile 40, Slot 8, M8	8	40	Foot