

Electrical connection technologies → Electrical connection technologies

Connecting cable, Series CN1

► Socket, M8, 4-pin ► without wire end ferrule, tin-plated, 4-pin



00107009_a

Ambient temperature min./max. -40°C / +85°C
 Protection class according to EN 60529 IP 65

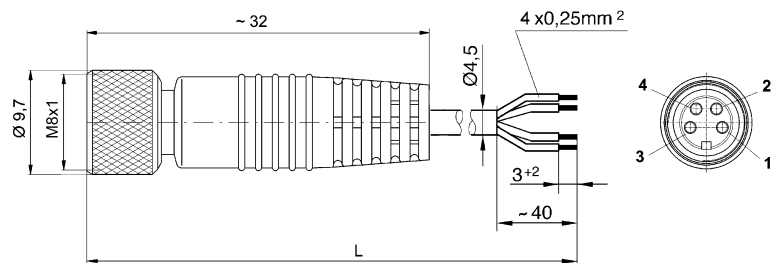
Materials:
 Cable sheath Polyurethane

Technical Remarks

- The specified protection class is valid only in assembled and tested state.

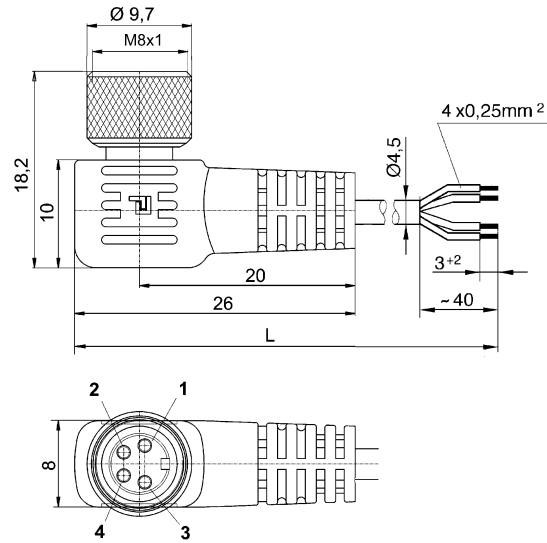
	Electrical interface		Number of plug options [for port 1]	Oper-ating volt-age [V DC]	Number of wires	Cable length [m]	Wire cross-section [mm ²]	Part No.												
	[Port 1]	[Port 2]																		
<table border="1"> <tr><td>1</td><td>—</td><td>BN</td></tr> <tr><td>2</td><td>—</td><td>WH</td></tr> <tr><td>3</td><td>—</td><td>BU</td></tr> <tr><td>4</td><td>—</td><td>BK</td></tr> </table>	1	—	BN	2	—	WH	3	—	BU	4	—	BK	Socket, M8, 4-pin	without wire end ferrule, tin-plated, 4-pin	1 position	24	4	3	0.25	1834484144
1	—	BN																		
2	—	WH																		
3	—	BU																		
4	—	BK																		
5	1834484146																			
3	1834484145																			
5	1834484147																			
Part No.	Cable exit		Note																	
1834484144	straight 180°		Fig. 1																	
1834484146	straight 180°		Fig. 1																	
1834484145	angled 90°		Fig. 2																	
1834484147	angled 90°		Fig. 2																	

Fig. 1



00127634_1

(1) BN=brown (2) WH=white (3) BU=blue (4) BK=black
 L = length

Electrical connection technologies → Electrical connection technologies
Connecting cable, Series CN1
► Socket, M8, 4-pin ► without wire end ferrule, tin-plated, 4-pin
Fig. 2


(1) BN=brown (2) WH=white (3) BU=blue (4) BK=black
L = length

00127634_2