

Features

- 11mm x 30mm panel cutout
- 16A / 250VAC
- 50,000 mechanical cycles
- SPDT
- Centre Off, Momentary both sides
- Black switch

RS PRO Rocker Switches

RS Stock No.: 9143585




RS PRO is the own brand of RS. The RS PRO Seal of Approval is your assurance of professional quality, a guarantee that every part is rigorously tested, inspected, and audited against demanding standards. Making RS PRO the Smart Choice for our customers.

Product Description

11x30mm momentary rocker switch, manufactured in Europe. Designed for panel mount applications.

- Single pole, double throw, momentary both sides.
- Suitable for small appliances, consumer electronics, panels & small machinery and HVAC equipment

General Specifications

RS Code:	9143585 
Contact Configuration	DPST 
Switch Operation	Centre off, momentary both sides
Illuminated	No
Actuator Colour	Black
Actuator Shape	Rectangular
Legend Text	No legend
Legend Text Colour	No legend
Contact Material	Copper alloy, silver plated
Case Material	PA66
Actuator Style	Rocker

Electrical Specifications

RS Code:	9143585
Contact Current Rating	16(6)A
	Resistive load (inductive load)
AC Voltage Rating	250VAC
Terminal Type	Blade
Termination Style	Quick Connect 6.3x0.8mm
Illumination Voltage	250VAC

Mechanical Specifications

Panel Cut Out Size	11x30mm
Panel Cut Out Width	11mm
Panel Cut Out Height	30mm
Mounting Type	Panel
Mechanical Life	50000 Operations
Unit Weight	7.4g
Distance Between Contacts	≥ 3 mm

Operation Environment Specifications

Ambient Temperature	Housing 120°C / Rocker 55 °C
---------------------	------------------------------

Protection Category

IP Rating	IP40
-----------	------

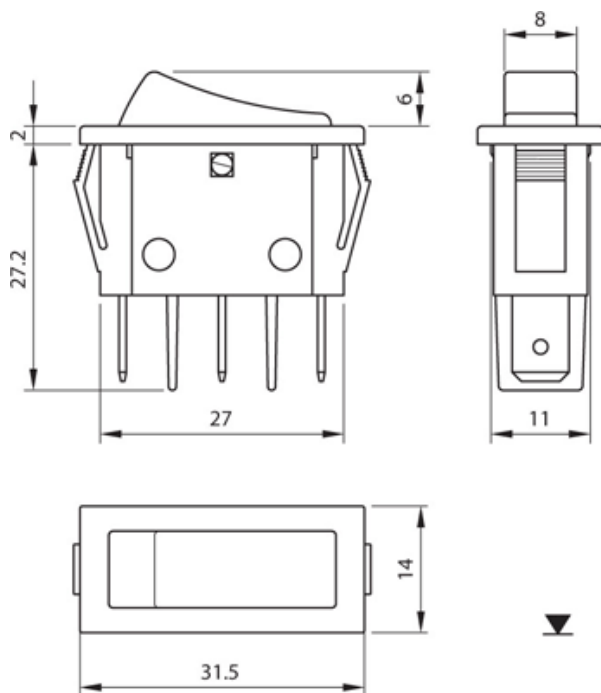
Classification

Class of Appliance	II
--------------------	----

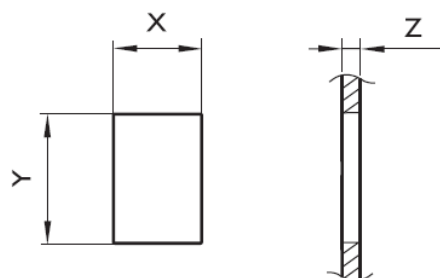
Approvals

Compliance/Certifications	EN 61058-1, ENEC, UL, CE
Declarations	GWFI 850°C heat and fire resistance

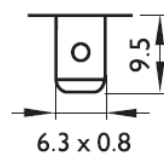
CONSTRUCTIONAL DIAGRAM/CIRCUIT DIAGRAMS



Cut out (mm)



Termination



Z	Y	X
0.7-1.25	30.0 ^{0 -0.1}	11.0 ^{-0.3 -0}
1.25-2.0	30.2 ^{0 -0.1}	11.0 ^{-0.3 -0}
2.0-3.0	30.6 ^{0 -0.2}	11.0 ^{-0.3 -0}
3.0-4.0	30.8 ^{0 -0.2}	11.0 ^{-0.3 -0}