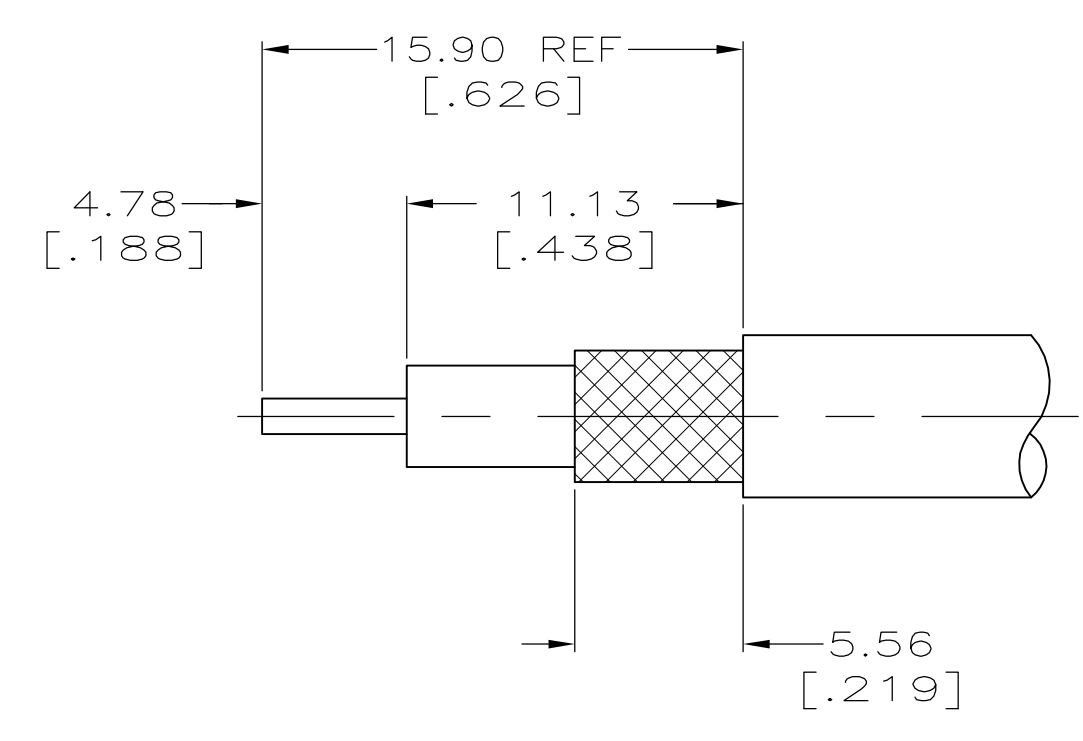
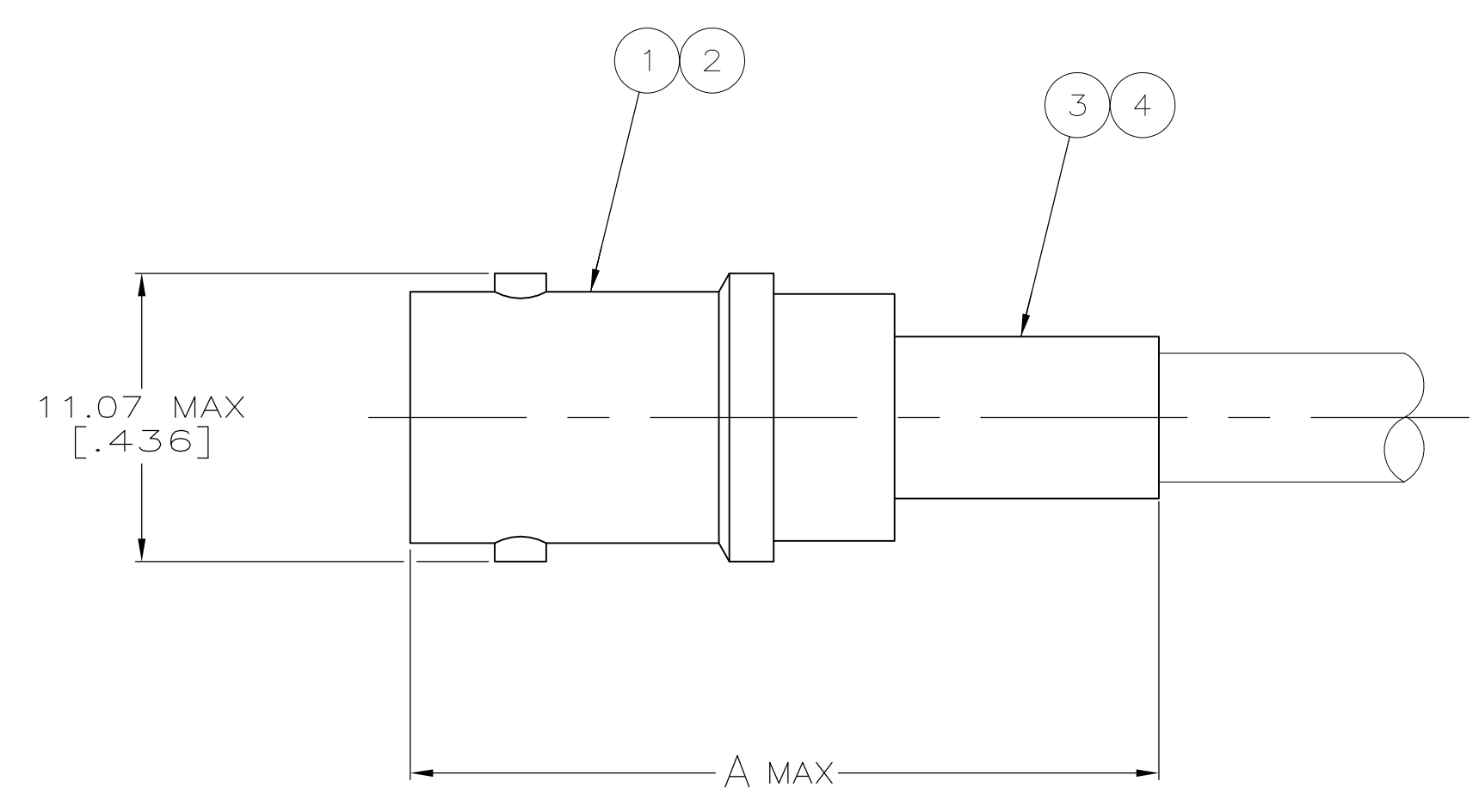


SEE SEPARATE RESTRICTED CUSTOMER DRAWING WITH THIS PART NUMBER  
 2. SEE I.S. 1914-2



RECOMMENDED STRIP LENGTH



	OBSOLETE	RG-179/U & 187/U	30.48 [1.200]	220009-1	21427-2	9-328666-0	1-331368-4	2-331355-5	9-225396-2
	OBSOLETE	RG-174/U & 188/U	30.48 [1.200]	220009-1	21427-2	9-328666-0	1-331368-2	2-331355-5	9-225396-1
	OBSOLETE	RG-58/U,58A/U,58B/U & 58C/U	30.48 [1.200]	69478-1	-	9-50427-1	1-331369-6	2-331355-3	9-225396-0
△	SUPERSEDED BY	225396-2	-	-	-	-	-	-	2-225396-3
△	SUPERSEDED BY	225396-1	-	-	-	-	-	-	2-225396-2
	SUPERSEDED BY	413779-1	BELDEN 88240,HI-TEMP 58C/U & BERK-TEK BTDC 58	35.56 [1.400]	69478-1	9-228783-0	1-331369-6	2-331355-3	2-225396-1
	OBSOLETE	-	-	-	-	-	-	-	2-225396-0
	OBSOLETE	BELDEN 9209 & TIMES FIBER AA2992	30.48 [1.200]	69477-1	-	9-50428-0	2-331368-3	2-331355-7	1-225396-9
	SUPERSEDED BY	225396-8	-	-	-	-	-	-	1-225396-3
	SUPERSEDED BY	413779-5	RG-180/U,180A/U & 195/U	30.48 [1.200]	69477-2	9-329461-0	1-331368-4	2-331355-5	225396-9
	OBSOLETE	RG-179/U & 187/U	30.48 [1.200]	220009-1	21427-2	9-328666-0	1-331368-4	2-331355-5	225396-8
	OBSOLETE	RG-174/U & 188/U	30.48 [1.200]	220009-1	21427-2	9-328666-0	1-331368-2	2-331355-5	225396-7
	SUPERSEDED BY	2-331351-9	-	-	-	-	-	-	225396-6
	OBSOLETE	-	-	-	-	-	-	-	225396-3
	OBSOLETE	RG-59/U,59A/U,59B/U,62/U,62A/U & 62B/U	30.48 [1.200]	69477-1	-	9-50428-0	2-331368-3	2-331355-4	225396-2
	OBSOLETE	RG-58/U,58A/U,58B/U & 58C/U	30.48 [1.200]	69478-1	-	9-50427-1	1-331369-6	2-331355-3	225396-1
		CABLE SIZE	A	CRIMP TOOL	④ BUSHING QTY=1	③ FERRULE QTY=1	② CONTACT QTY=1	① JACK ASSY QTY=1	PART NUMBER

THIS DRAWING IS A CONTROLLED DOCUMENT.

DIMENSIONS: mm [INCHES]	TOLERANCES UNLESS OTHERWISE SPECIFIED:	DIN B SCOTT 06-12-91	TE Connectivity
0 PLC ± -	1 PLC ± -	CHK J LIPPERT 6-14-91	
2 PLC ± -	3 PLC ± -	APVD M PHILLIPS 6-17-91	NAME
4 PLC ± -	ANGLES ± -	PRODUCT SPEC	JACK, DUAL CRIMP, SERIES BNC
MATERIAL	FINISH	APPLICATION SPEC	108-12020
		SIZE	A1
		WEIGHT	00779
		CAGE CODE	225396
		DRAWING NO	225396
		RESTRICTED TO	
		CUSTOMER DRAWING	SCALE 4:1 SHEET 1 OF 1 REV T2