

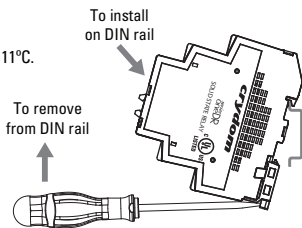
series oneDR

AC/DC Output Single Channel &
AC Output Dual Channel SSR

INSTALLATION INSTRUCTIONS

Please read all installation instructions before using SeriesOne DR SSRs.

- Install the relay on the DIN rail (as shown in drawing).
- Wire the relay to the input side. AWG #22 minimum, AWG #16 maximum (0.3-1.3 mm²). Temperature rating of 111°C.
- Wire the relay to the output side. AWG #22 minimum (0.3 mm²), AWG #14 (2.1 mm²) x 2 or AWG #12 (3.3 mm²) x 1 (standed/solid) maximum. Temperature rating of 111°C.
- Maximum recommended terminal screw torque input 4.4 in-lbs (0.5 Nm) & output 7 in-lbs (0.8 Nm).
- If multiple units are installed be sure to follow derating curves (reverse side of this sheet).

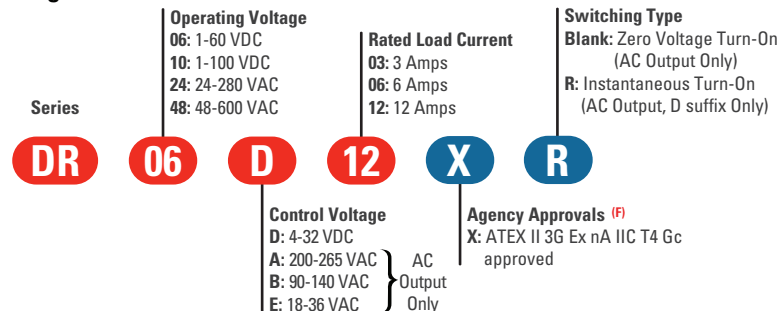


General Notes

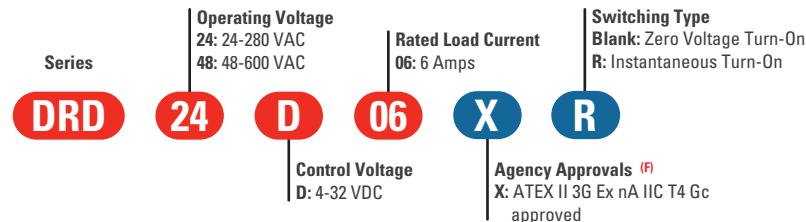
- (A) Not all combinations of ratings are available.
 (B) No grounding wire required. DC inductive loads must be diode suppressed.
 (C) 4 Pin connector for dual channel output only. Mating connector: MOLEX 050579404 or equivalent.
 (D) 4 Terminal screws Pozidrive #1, 3/16 in (4.8 mm).
 (E) Minimum wire insulation strip length 0.20 in (5.1 mm), maximum 0.28 in (7.1 mm).

PART NUMBER NOMENCLATURE

Single Channel ^(A)



Dual Channel

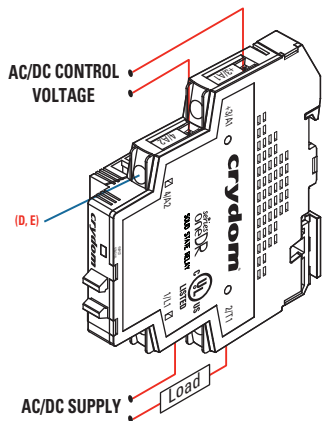


● Required for valid part number

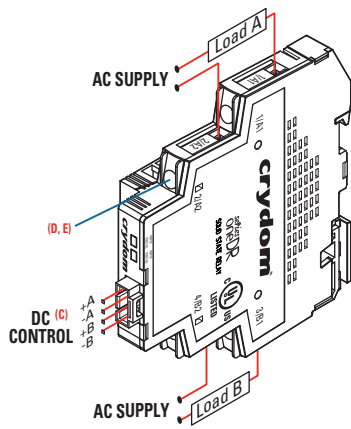
● For options only and not required for valid part number

WIRING DIAGRAMS ^(B)

For DRxxx03, DRxxx06 or DRxxx12 versions



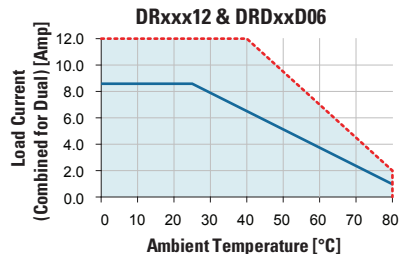
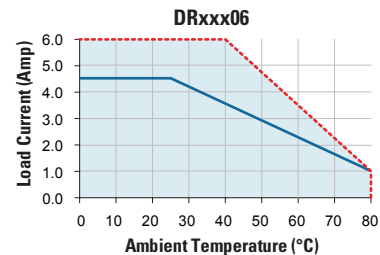
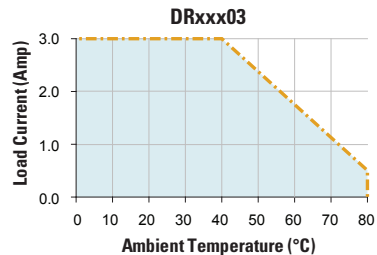
For DRDxxD06 versions



(F) THIS EQUIPMENT IS OPEN-TYPE DEVICE AND IS MEANT TO BE INSTALLED IN AN ENCLOSURE SUITABLE FOR THE ENVIRONMENT SUCH THAT THE EQUIPMENT IS ONLY ACCESSIBLE WITH THE USE OF A TOOL. SUITABLE FOR USE IN CLASS I, DIVISION 2, GROUPS A, B, C AND D HAZARDOUS LOCATIONS, OR NON-HAZARDOUS LOCATIONS ONLY. **WARNING** - EXPLOSION HAZARD - DO NOT DISCONNECT EQUIPMENT WHILE THE CIRCUIT IS LIVE OR UNLESS THE AREA IS KNOWN TO BE FREE OF IGNITABLE CONCENTRATIONS. **WARNING** - EXPLOSION HAZARD - SUBSTITUTION OF ANY COMPONENT MAY IMPAIR SUITABILITY FOR CLASS I, DIVISION 2.

DERATING CURVES

Derating curves are not for the ATEX certificate evaluation



- - - Single and multiple units for DRxx03
- - - Installed single unit, distance to adjacent components ≥ 11 mm for DRxxx06 and ≥ 18 mm for DRxxx12 & DRDxxD06
- Multiple units, no minimum spacing between components

⚠ WARNING

RISK OF MATERIAL DAMAGE AND HOT ENCLOSURE

- The product's side panels may be hot, allow the product to cool before touching.
- Follow proper mounting instructions including torque values.
- Do not allow liquids or foreign objects to enter this product.

Failure to follow these instructions can result in serious injury, or equipment damage.

⚠ DANGER

HAZARD OF ELECTRIC SHOCK, EXPLOSION OR ARC FLASH

- Turn off power supply before working on this equipment.

Failure to follow these instructions will result in death or serious injury.

Rev. 081916