



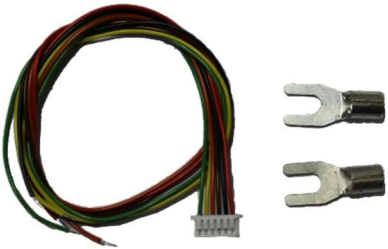





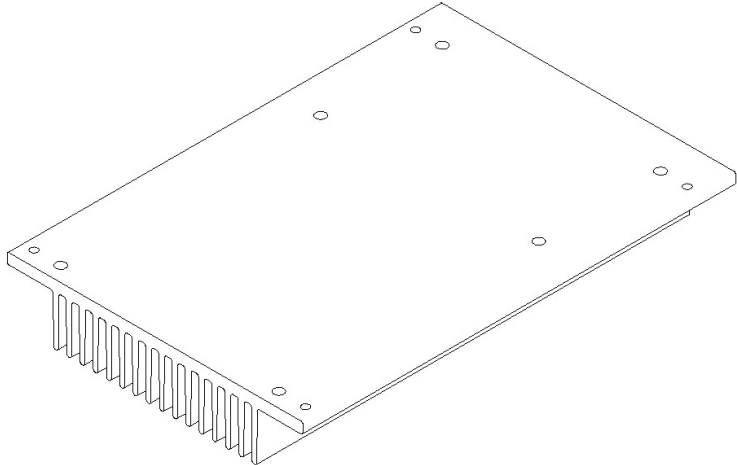
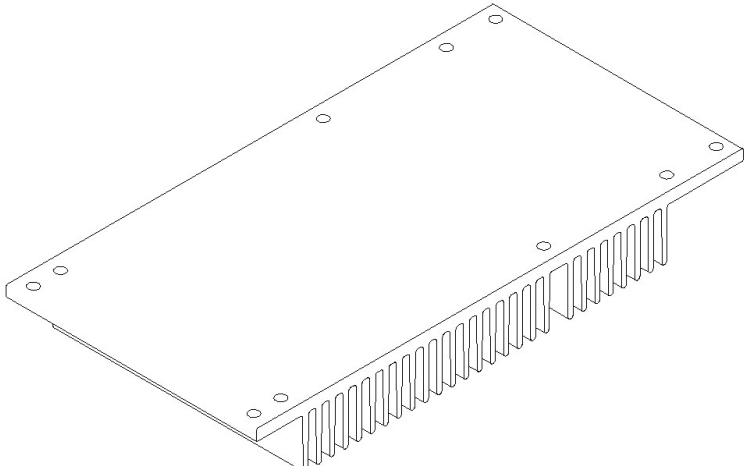
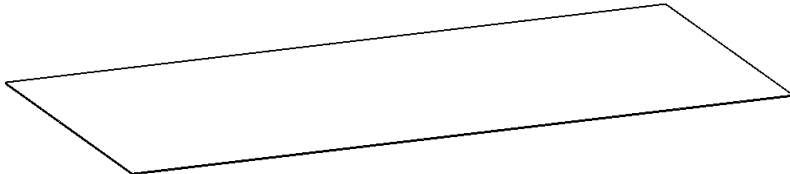
Accessories

Description	Photo/Drawing	Order code
Output Parallel Links	2 WAY PARALLEL LINK 	2 way = LINK-VP2 3 way = LINK-VP3 4 way = LINK-VP4
Current share cables	4 WAY SHARE CABLE 	2 way = CAB-CS2 3 way = CAB-CS3 4 way = CAB-CS4
Output Series Link		LINK-VS
Output Quick-Connect terminal (6.3x0.8mm TAB x2)		ACC-QCT
Output Cable Set 1x Signals cable (~200mm) 2x Power terminals		CAB-VSOPL
Input Cable Set 1x Signals cable (~200mm) 1x Standby cable (~200mm) 3x Power terminals 1x Shorting Link		CAB-VC6



VOXPOWER

Accessories

<p>Heatsink1</p> <p>(Provided with 6x M4 x 10mm Posi-Drive screws for baseplate mounting and thermal interface ACC-TF)</p>		<p>ACC-HS1</p>
<p>Heatsink2</p> <p>(Provided with 6x M4 x 10mm Posi-Drive screws for baseplate mounting and thermal interface ACC-TF)</p>		<p>ACC-HS2</p>
<p>Thermal interface</p> <p>(170mmx80mm)</p>		<p>ACC-TF</p>