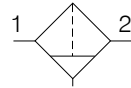


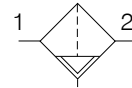
Standard Particulate Filter P33



Symbols



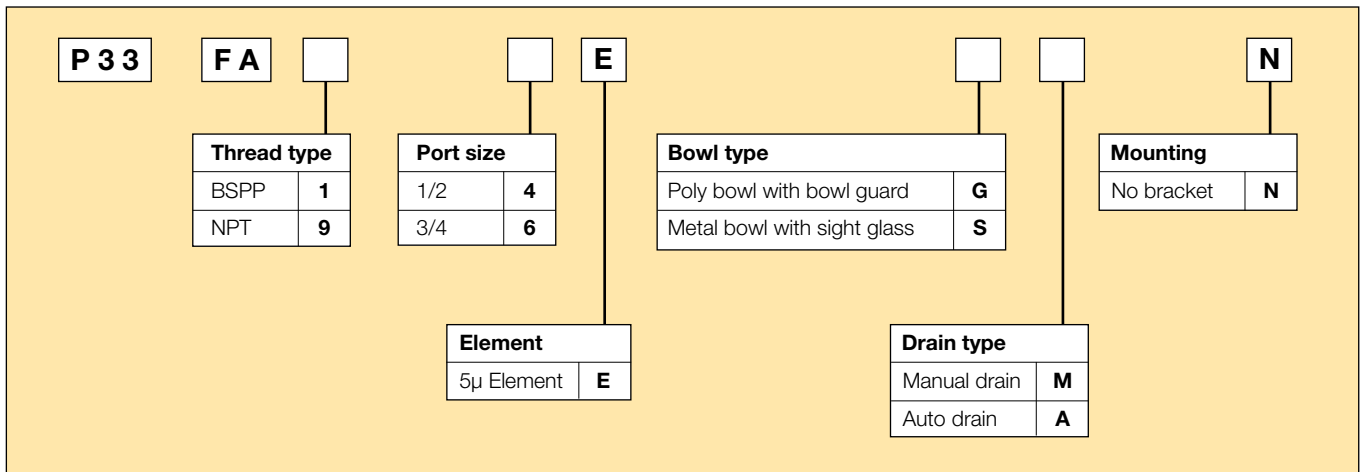
Manual drain



Auto drain

- Integral 1/2 or 3/4 ports (BSPP & NPT)
- High efficiency 5 micron element as standard
- Excellent water removal efficiency
- Robust but lightweight aluminium construction
- Positive bayonet latch to ensure correct & safe fitting

Options:



Port size	Description	Order Code	Flow dm ³ /s (scfm) *	Max bar (psi)	Height mm (Inches)	Width mm (Inches)	Depth mm (Inches)
1/2"	Poly bowl - Manual drain	P33FA14EGMN	40 (85)	10 (150)	213 (8.4)	73 (2.9)	73 (2.9)
1/2"	Poly bowl - Auto drain	P33FA14EGAN	40 (85)	10 (150)	207 (8.2)	73 (2.9)	73 (2.9)
1/2"	Metal bowl sight glass - Manual drain	P33FA14ESMN	40 (85)	17 (250)	213 (8.4)	73 (2.9)	73 (2.9)
1/2"	Metal bowl sight glass - Auto drain	P33FA14ESAN	40 (85)	17 (250)	207 (8.2)	73 (2.9)	73 (2.9)
3/4"	Poly bowl - Manual drain	P33FA16EGMN	48 (102)	10 (150)	213 (8.4)	73 (2.9)	73 (2.9)
3/4"	Poly bowl - Auto drain	P33FA16EGAN	48 (102)	10 (150)	207 (8.2)	73 (2.9)	73 (2.9)
3/4"	Metal bowl sight glass - Manual drain	P33FA16ESMN	48 (102)	17 (250)	213 (8.4)	73 (2.9)	73 (2.9)
3/4"	Metal bowl sight glass - Auto drain	P33FA16ESAN	48 (102)	17 (250)	207 (8.2)	73 (2.9)	73 (2.9)

* flow with 6.3 bar (91.3 psig) inlet pressure and 0.5 (7.2 psig) pressure drop.

Specifications

Flow Capacity*	1/2	40 dm ³ /s (85 scfm)
	3/4	48 dm ³ /s (102 scfm)
Operating Temperature	Plastic Bowl	-25°C (-13°F) to 52°C (125°F)
	Metal Bowl	-25°C (-13°F) to 65.5°C (150°F)
Max Supply Pressure	Plastic Bowl	10 bar (150 psi)
	Metal Bowl	17 bar (250 psi)
Standard Filtration		5 Micron
Useful Retention**		85 cm ³ (2.8 US oz.)
Port Size	BSPP / NPT	1/2, 3/4
Weight		0.46 kg (1.01 lbs)

* Inlet pressure 6.3 bar (91.3 psig). Pressure drop 0.5 bar (7.2 psig).

** Useful retention refers to volume below the quiet zone baffle.

Air quality:

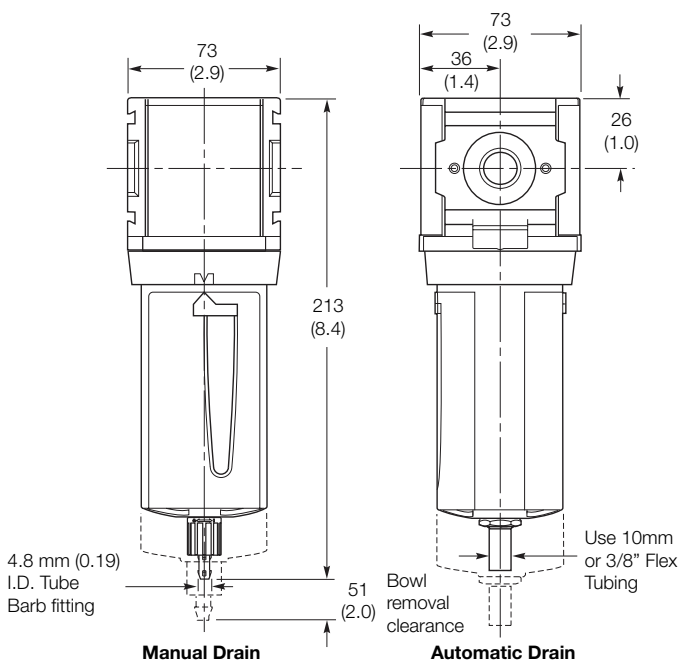
Within ISO 8573-1: 1991 Class 3 (Particulates)

Within ISO 8573-1: 2001 Class 6 (Particulates)

Materials of Construction

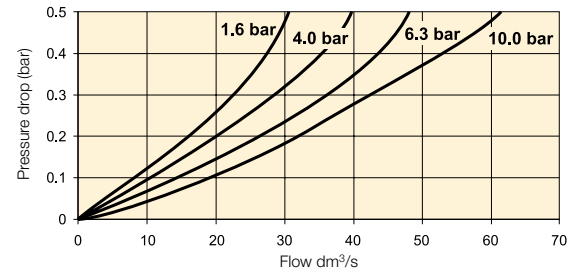
Body	Aluminium	
Body Cap	ABS	
Bowls	Plastic Bowl	Polycarbonate
	Metal Bowl	Aluminium
Bowl Guard	Nylon	
Deflector	Polypropylene	
Element Retainer / Baffle	Acetal	
Filter Element	Sintered Polyethylene	
Seals	Plastic Bowl	Nitrile
	Metal Bowl	Nitrile
Sight Gauge	Metal Bowl	Polycarbonate

Dimensions

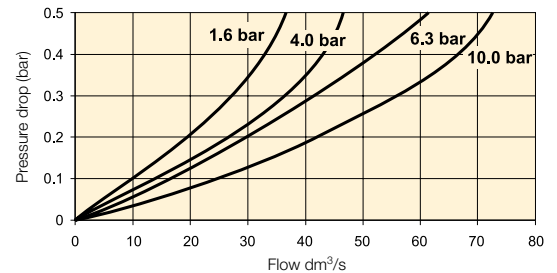


Flow Charts

1/2 Filter



3/4 Filter



Repair and Service Kits

Plastic bowl / Bowl guard manual drain	P33KA00BGM
Metal bowl / Sight gauge manual drain	P33KA00BSM
Auto drain	P32KA00DA
5µ particle filter element	P33KA00ESE
L-Bracket (fits to body)	P33KA00ML
T-Bracket (fits to body connector)	P32KA00MB
T-Bracket with body connector	P32KA00MT
Body connector	P32KA00CB