



Clifford & Snell[®]

Yodalarm[®]

YA50-MSA (8)

A Multi Stage Audible Signalling device, with up to 8 selectable alarm stages, designed for use in Fire, Commercial, Industrial & Marine applications.

PRODUCT FEATURES

- Max sound output 112 dB (A) @ 1m
- IP66 rated as standard
- 32 selectable tones meeting international regulations
- Flame retardant ABS enclosure
- Stainless steel fixings
- 8 stage alarm
- Each stage is independently selectable
- Low current consumption
- Robust, reliable and simple to install



Product Approvals



Compliant

☎ UK +44 (0) 121 446 5322 FR +33 (0)1 70 72 12 71

✉ uksales@moflash.co.uk

exportsales@moflash.co.uk

moflashkm@moflash.com

🌐 www.moflash.com

Issue 1

TECHNICAL DATA

Electrical Data	
Operating Voltage	Current Draw
24vDC ---	40 mA at Tone 1
85-280vAC/DC ~	20 mA
Operational Parameters	± 10% of nominal

Acoustic Data	
Maximum Volume Output	112dB (A)
Volume Control Adjustment	-18 dB (A)

Ambient Conditions	
Operating Temperatures	
Standard General	-35 °C to +66 °C
Storage Temperature	-40 °C to +70 °C
Max. Relative Humidity	93% ± 3 at 40 °C

Mounting / Installation

Devices should be mounted to a suitable flat wall or bulkhead avoiding any undue vibration and using the two lugs projecting from the case. The lugs are bored 8mm on 153mm centres. The minimum length of fixing screw required is 25mm. To maintain the IP rating of the enclosure, the cable entries must be fitted with a suitably rated cable gland (included). Max cable termination 2.5mm².

Mechanical Data	
Enclosure Material	ABS FR UL94 5VB
External Fixings	Stainless Steel
Degree of Protection	IP66 (IEC60529)

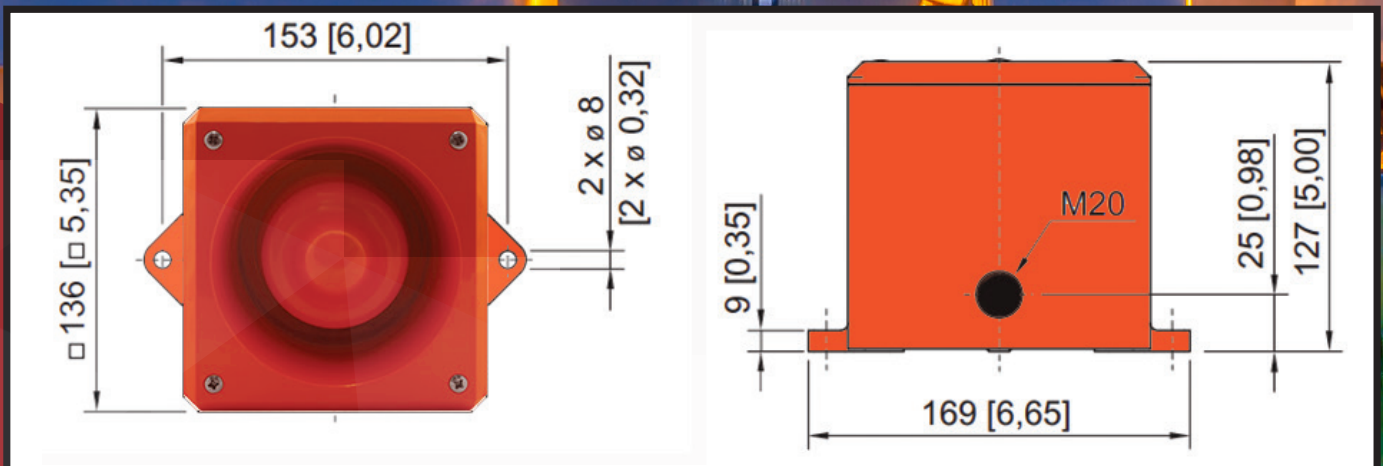
Standard Alarm Stage Options

This unit offers up to 8 independently selectable alarm stages that the user can pre-set.

Dimensional Drawing

We reserve the right to make alterations to the technical data, dimensions, weights, designs and products available without notice. The illustrations cannot be considered binding.

(All Dimensions in mm [inches]) - Subject to alterations



SELECTION

Version	Enclosure Colour	Rated Operational Voltage	Order Number	Art. No.	Weight (Kg)
YA50-MSA (8) Sounder UKCA & CE	Red Flame (RF) RAL 2002	24vDC ---	YA50/D/RF/WR(8)	245165	1.2
		85-280vAC/DC ~	YA50/M/RF/WR(8)	245172	1.2

