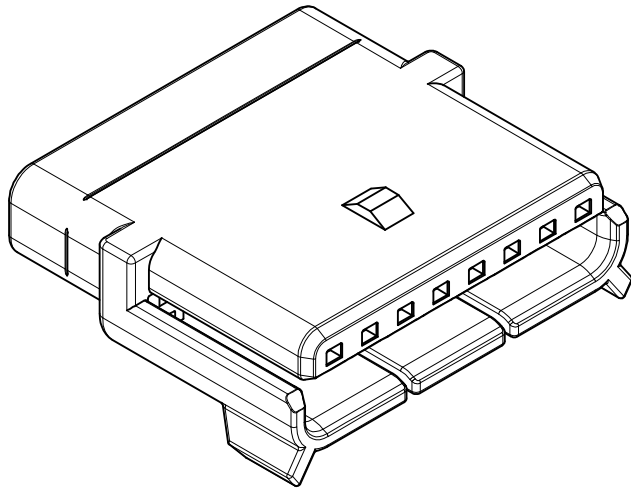
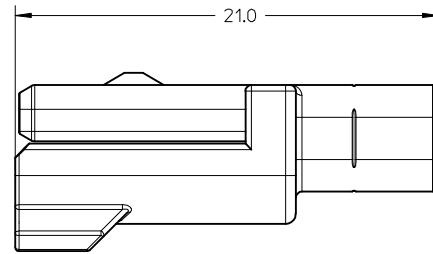
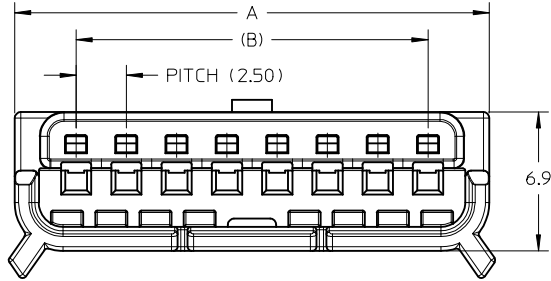


NOTES:

1. MATERIAL: PA66, UL 94V-0
COLOR: NATURAL(WHITE)
2. USE CRIMP TERMINAL SERIES 36876
3. PART MATES WITH IDENTICAL HOUSING (SERIES 36877)
4. PRODUCT SPECIFICATION PS-36876-001
5. PACKAGING SPECIFICATION PK-36877-001
6. COSMETIC SPECIFICATION: PS-45499-002 CLASS B



PART NO	CIRCUIT SIZE	A ±0.35	(B)
368770002	2	8.5	(2.5)
368770003	3	11.0	(5.0)
368770004	4	13.5	(7.5)
368770005	5	16.0	(10.0)
368770006	6	18.5	(12.5)
368770007	7	21.0	(15.0)
368770008	8	23.5	(17.5)

REVISED NOTES & UPDATED PART NUMBERS EC NO: I2015-0023 DRW: NCSR 2014/08/05 CHKD: APPR: KPRASAD 2014/08/20	QUALITY SYMBOLS	GENERAL TOLERANCES (UNLESS SPECIFIED)		DIMENSION STYLE MM ONLY		SCALE 4:1	DESIGN UNITS METRIC	THIRD ANGLE PROJECTION
	$\nabla_A = 0$	4 PLACES	mm	INCH	DRAWN BY NCSR	DATE 2013/10/24	TITLE GENDERLESS HOUSING FRICTION LOCK DITTO INTERCONNECTS	
	$\nabla_B = 0$	3 PLACES	± ---	± ---	CHECKED BY	DATE		
	$\nabla_C = 0$	2 PLACES	± 0.25	± ---	APPROVED BY KPRASAD	DATE 2013/10/29	DOCUMENT NO. SD-36877-001	
$\nabla_D = 0$	1 PLACE	± 0.3	± ---	MATERIAL NO.		SHEET NO. 1 OF 1		
	0 PLACE	± ---	± ---	ANGULAR ±1/2°		THIS DRAWING CONTAINS INFORMATION THAT IS PROPRIETARY TO MOLEX INCORPORATED AND SHOULD NOT BE USED WITHOUT WRITTEN PERMISSION		
		DRAFT WHERE APPLICABLE MUST REMAIN WITHIN DIMENSIONS		SEE TABLE				