

THIS DRAWING IS UNPUBLISHED. RELEASED FOR PUBLICATION MAR ,2006.

© COPYRIGHT 2006 BY TYCO ELECTRONICS CORPORATION. ALL RIGHTS RESERVED.

LOC E	DIST B	REVISIONS		
P	LTR	DESCRIPTION	DATE	DWN
	A	FIRST ISSUE	20MAR06	JMS
				APVD FWK

NOTES

1 100 TRAY PACK IN ACCORDANCE WITH AMP SPEC 107-3275

2 SINGLE PACK IN ACCORDANCE WITH AMP SPEC 107-3275

3 Au PLATING

4 Ni PLATING

5. CHARACTERISTICS

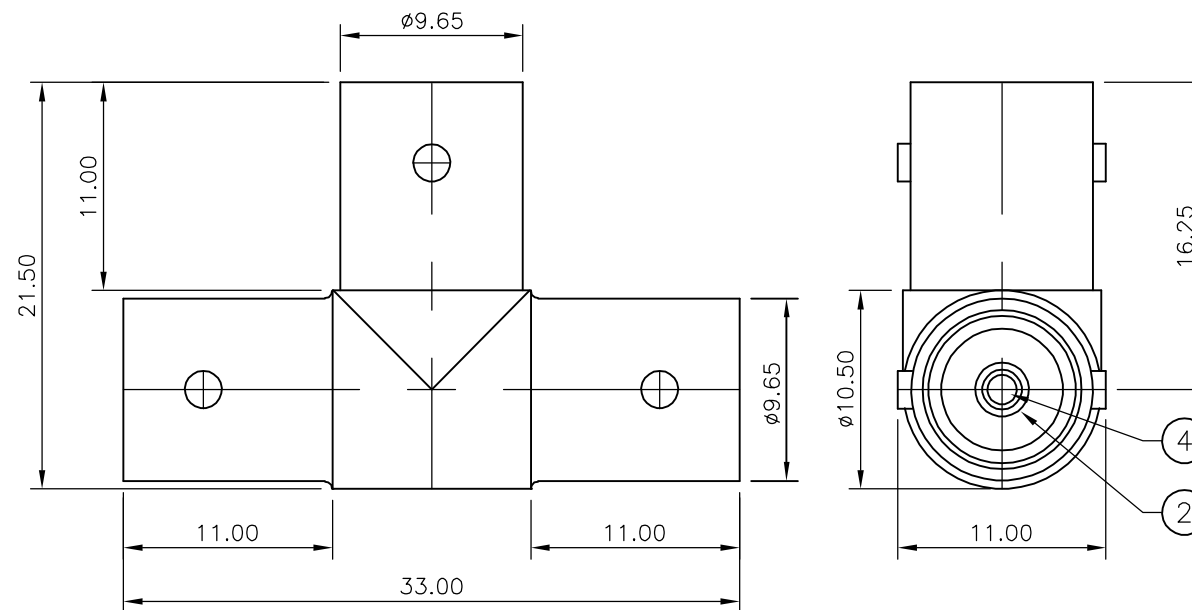
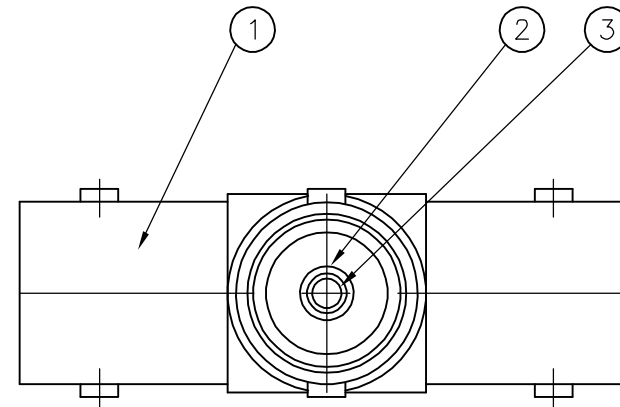
FREQUENCY RANGE (50 OHMS):	DC-4GHz
INSULATION RESISTANCE:	5000 MOHMS
WORKING VOLTAGE:	500V
DIELECTRIC WITHSTAND VOLTAGE:	1500V RMS
TEMPERATURE RATE:	-55°C TO +85°C
CONTACT RESISTANCE:	3 mOHMS

6. MECHANICAL CHARACTERISTICS

DURABILITY: 50 CYCLES

7. FOR TECHNICAL DATA REFER TO YOUR LOCAL TYCO ELECTRONICS SALES OFFICE

8. ALL DIMENSIONS ARE NOMINAL FOR REFERENCE ONLY UNLESS OTHERWISE STATED



						1	1	PHOS BRONZE	3	CONTACT 2	4
						1	1	PHOS BRONZE	3	CONTACT 1	3
						3	3	POLYMETHYLPENTENE		INSULATOR	2
						1	1	ZINC ALLOY	4	BODY	1
						5--1	5--0	MATERIAL		DESCRIPTION	ITEM
QUANTITY PER ASSY											PARTS LIST

THIS DRAWING IS A CONTROLLED DOCUMENT.		DWN J.SANDWELL 20MAR06	 Tyco Electronics Corporation Bideford, UK, EX39 4HE													
DIMENSIONS: mm		CHK S.PARLOW 20MAR06														
TOLERANCES UNLESS OTHERWISE SPECIFIED:		APVD F.WHEELER-KING 20MAR06	NAME BNC T - ADAPTOR JACK - JACK - JACK													
<table border="0"> <tr><td>0 PLC</td><td>± -</td></tr> <tr><td>1 PLC</td><td>± -</td></tr> <tr><td>2 PLC</td><td>± -</td></tr> <tr><td>3 PLC</td><td>± -</td></tr> <tr><td>4 PLC</td><td>± -</td></tr> <tr><td>ANGLES</td><td>± -</td></tr> </table>		0 PLC	± -	1 PLC	± -	2 PLC	± -	3 PLC	± -	4 PLC	± -	ANGLES	± -	PRODUCT SPEC -	SIZE A3	
0 PLC	± -															
1 PLC	± -															
2 PLC	± -															
3 PLC	± -															
4 PLC	± -															
ANGLES	± -															
MATERIAL SEE TABLE		FINISH -	CAGE CODE 00779	DRAWING NO C-1634535												
CUSTOMER DRAWING			RESTRICTED TO -	SCALE NTS												
			SHEET 1	OF 1												
			REV A													