

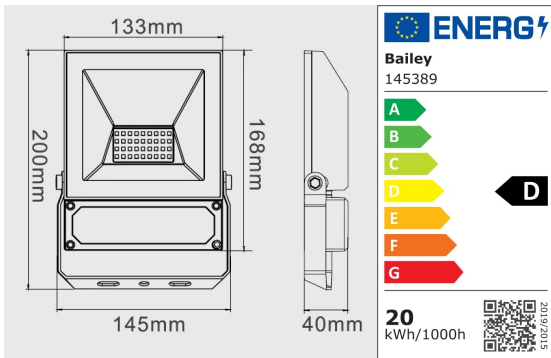


LED Floodlight 12V-36V DC 20W 2800lm 5700K

Article number: 145389

BAI LED Floodlight Low Voltage 20W 5700K 2800lm 12V-24V-28V-36V DC IP65 IK08 Alu housing black 120° 1.4m H05RN-F cable LED Floodlight

The Floodlight is also called a spotlight or construction lamp. The Led version consumes little power and lasts a long time so that they are more durable than the traditional predecessors. Can be mounted on both wall and ceiling. The housing is made of cast aluminum. As the name implies, the Low Voltage series is designed for low voltage applications (12V-36V). Comes with 140cm connection cable. Suitable for ambient temperatures from -20°C to +50°C. Consult specifications and warranty for installation.



General ETIM properties

ETIM group	Luminaires
ETIM class	Downlight/spot/floodlight
Name	LED Floodlight 12V-36V DC 20W 2800lm 5700K
Brand	Bailey
Productseries	LED Floodlight LV
Producttype	Low voltage

ETIM specifications

Max. system power [W]	20
Colour temperature [K]	5700 - 5700
Nominal voltage [V]	12 - 36
With movement sensor	No
Lamp holder	None
Suitable for surface mounting	Yes
Suitable for built-in mounting	No
Suitable for wall mounting	Yes
Suitable for suspended mounting	No
Suitable for ceiling mounting	Yes
Suitable for traverse mounting	No
Suitable for pedestal/floor mounting	Yes
Suitable for light-track mounting	No
Suitable for clamp-mounting	No
Suitable for low voltage cable system	No
Adjustability	Rotatable
With light sensor	No
Lamp type	LED not exchangeable
With light source	Yes
Suitable for number of light sources	1
Housing material	Aluminium
Surface protection	Powder coating
Housing colour	Black
Material cover	Glass transparent
Voltage type	DC
Type of control gear	Low-loss ballast compensated
With control gear	Yes
Exchangeable control gear	No
Dimming 0-10 V	No
Dimming 1-10 V	No
Dimming DALI-2	No
Dimming DALI	No
Dimming DMX	No
Dimming DSI	No
Dimming potentiometer (integrated)	No
Dimming LineSwitch	No
Dimming manufacturer's proprietary system	No
Dimming mains voltage modulation	No
Dimming phase cut-off (trailing edge)	No
Dimming phase cut-on (leading edge)	No
Dimming programmable	No
Dimming RF	No

Dimming Touch and Dim	No
Dimming Zigbee	No
Dimming with push-button	No
Reflector	Matt
Light distributor	Reflector
Light distribution	Symmetric
Beam angle	> 80° - Extreme wide beam
Light outlet	Direct
Colour rendering index CRI	70-79
Rated lifetime L70/B50 at 25 °C [h]	30000
Degree of protection (NEMA)	Other
Impact strength	IK08
Protection class according to IEC 61140	III
Rated ambient temperature according to IEC 62722-2-1 [°C]	-20 - 50
Suitable for lamp power [W]	20 - 20
Colour of light	White
Emergency power supply system	None
Constant light output (CLO)	No
Colour of light adjustable	No
Luminous flux adjustable	No
Beam angle adjustable	No
Width [mm]	40
Height/depth [mm]	200
Length [mm]	145
Conductor cross section [mm²]	1
Connection type	Free conductor end
Power factor	0.9
Filament test according to IEC 60695-2-11	None
Photobiological safety according to EN 62471	RG1
Dimmable	No
Luminaire with limited surface temperature, sign "D" according to EN 60598-2-24	Yes
Covering of the luminaire with thermally insulating material possible	Yes
Number of poles	2
Suitable for workplace according to EN 12464-1	Yes
Nominal current [mA]	460 - 460
Energy efficiency class of the light source according to EU regulation 2019/2015	D
Compatible with Apple HomeKit	No
Colour consistency (McAdam ellipse)	SDCM6
Dimming Sine Wave Reduction	No
Compatible with Google Assistant	No
Compatible with Amazon Alexa	No

With presence detector	No
IFTT support available	No
Containing product according to 2019/2020/EU	No
Degree of protection (IP), rear side	Other
Degree of protection (IP), front side	IP65
Operation by Bluetooth	No
Total harmonic distortion (THD) [%]	20
Rated luminous flux according to IEC 62722-2-1 [lm]	2800 - 2800
Luminaire efficacy [lm/W]	140 - 140
Compatible with Casambi	No
UK Building Regs Part B fire rated - 30 minutes	No
UK Building Regs Part B fire rated - 60 minutes	No
UK Building Regs Part B fire rated - 90 minutes	No

Complementary articles



92100032104

Connector TH400 Tee 2-way Tube
3P