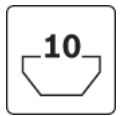
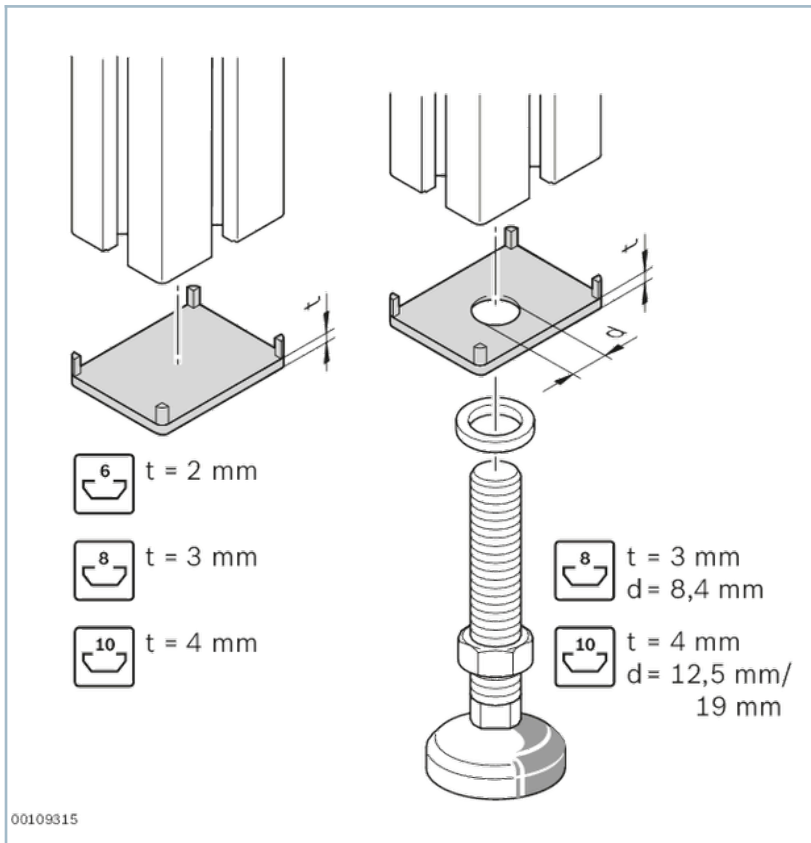


Cover cap 40x40



- Cover cap to prevent injuries at open profile ends
- Attractive design
- Cover cap with hole for use with leveling feet and rollers

Product description






[Introduction to strut profiles](#)

Technical data

No.	Material
3842548746	PP
3842548747	
3842548782	
3842548783	

Ordering codes

		ESD	No.
Cover cap 40x40, signal gray	100		3842548746
Cover cap 40x40, black	20		3842548747
Cover cap with hole 40x40, signal gray	20		3842548782
Cover cap with hole 40x40, black	20		3842548783