

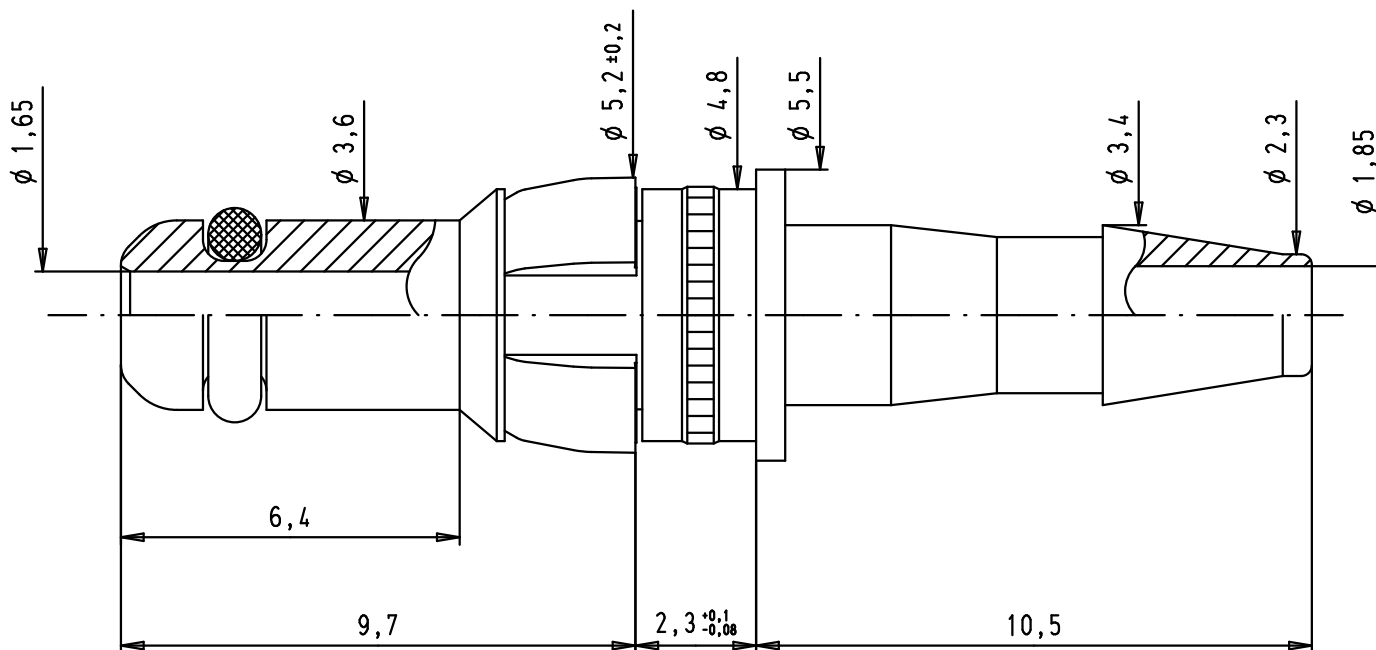
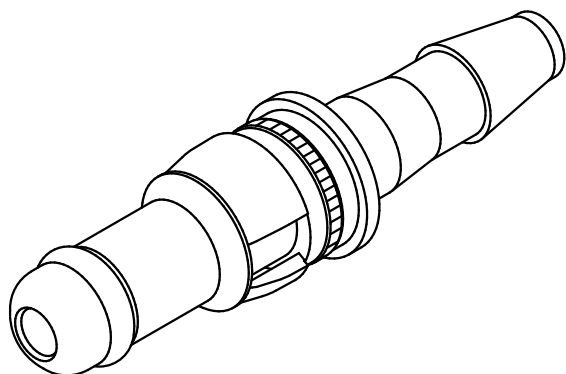
5



4

3

2

1



| | | | | | | | | |
|-------|----------|------|-------------------------------|----------|------|---|---|-------------------|
| | | | | Dot. | Name |  All Dim. in mm Orig. Size DIN A 4 | Straight male pneumatic contact for 3 mm inner diameter compressed air tube | Moßstab/ Scale |
| | | | Detail. | 25/04/07 | PK | | | 7:1 |
| | | | Insp. | | | | | |
| | | | Stand. | | | | | |
| 33985 | 25/04/07 | PK | HARTING EURL F-95972 Paris | | |  | TB 09 69 287 0062 | Blatt/ Page |
| Mod. | Dot. | Name | | | | | Sub. | 1 / 1 |