

4

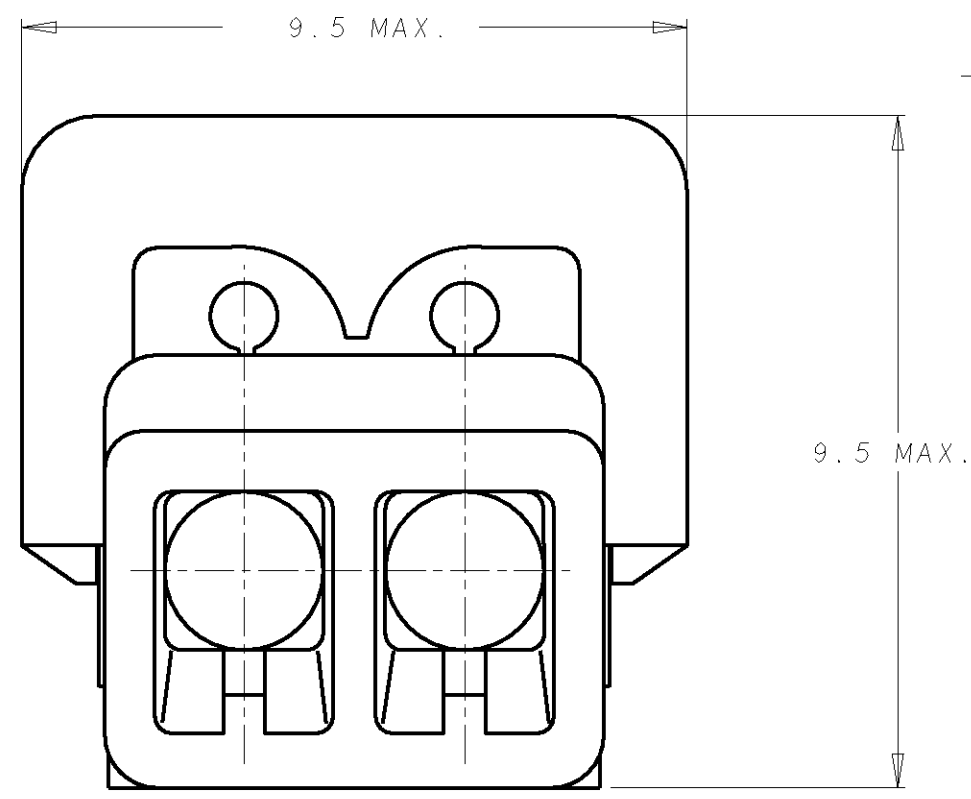
3

2

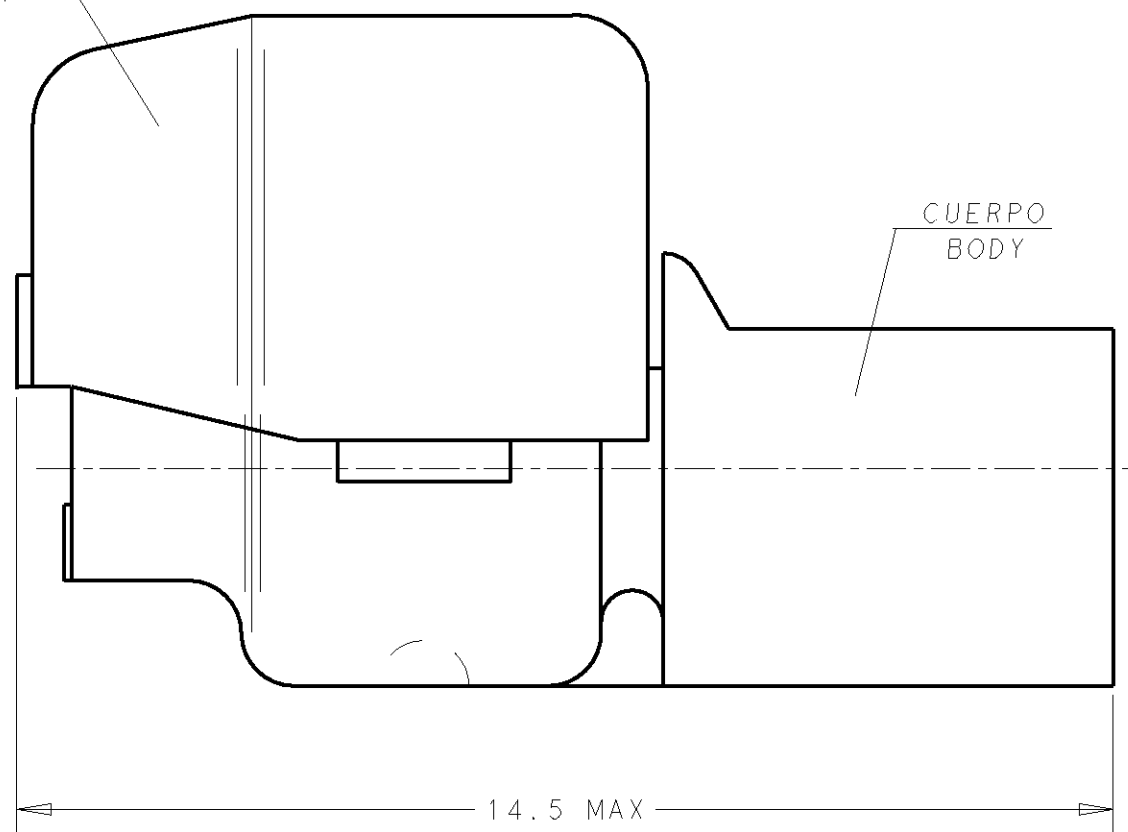
1

THIS DRAWING IS UNPUBLISHED. RELEASED FOR PUBLICATION .19 .  
 © COPYRIGHT 19 BY AMP INCORPORATED. ALL RIGHTS RESERVED.

LOC	DIST	REVISIONS			
P	LTR	DESCRIPTION	DATE	DWN	APVD
	E1	ES00-0074-98 REDRAWN	14JAN98	JG	RSa
	E2	ES00-0036-98	23MAR98	JG	RSA



CONJUNTO TAPA  
COVER ASS'Y



9/13	CON GRASA WITH SEALING	AZUL BLUE	VER NOTA 3 SEE NOTE 3	VER NOTA 3 SEE NOTE 3	737636-7
9/12					737636-6
8/11					737636-5
10/6					737636-4
8/9					737636-3
8/6					737636-2
7/5					737636-1
NOTAS					OTROS TRATAMIENTOS

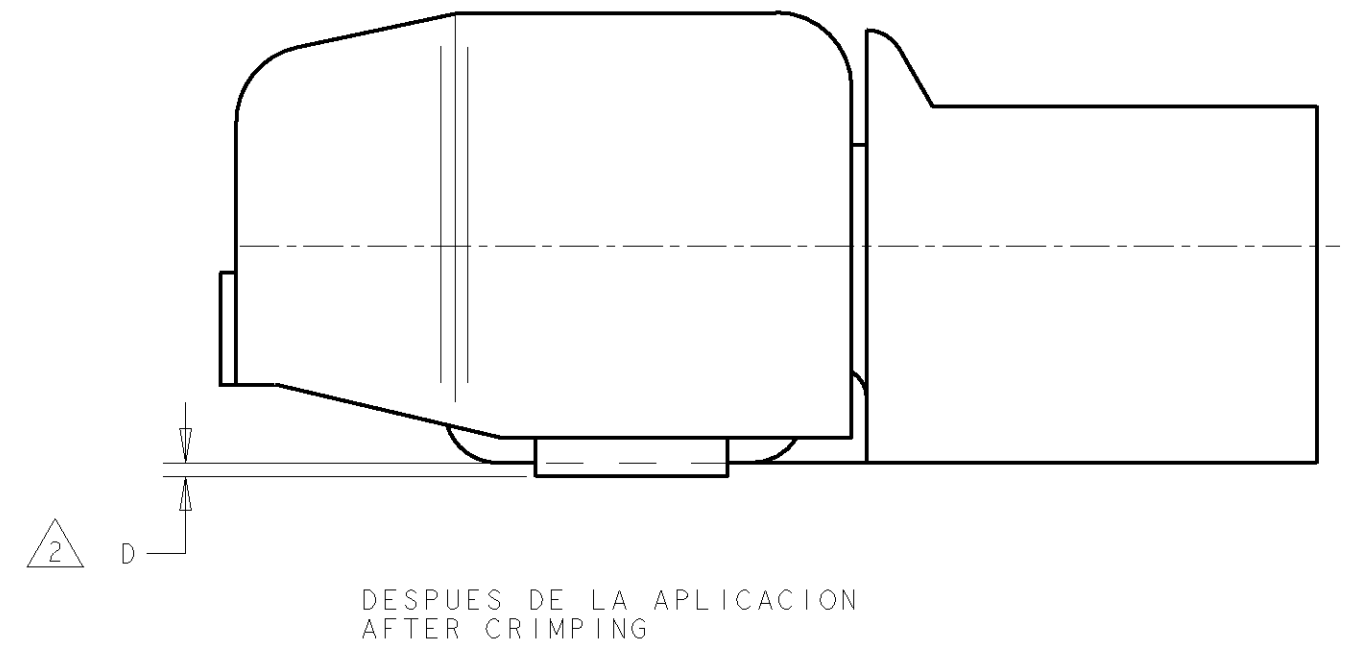
<small>THIS DRAWING IS A CONTROLLED DOCUMENT FOR AMP INCORPORATED. IT IS SUBJECT TO CHANGE AND THE CONTROLLING ENGINEERING ORGANIZATION SHOULD BE CONTACTED FOR THE LATEST REVISION.</small>		DWN CARBONELL 31JAN91 CHK J. SANABRA 05FEB91 APVD P. DURAN 10MAR93	<b>AMP</b> AMP Española, S.A. Barcelona, Spain.
DIMENSIONS: mm 	TOLERANCES UNLESS OTHERWISE SPECIFIED: 0 PLC ±- 1 PLC ±0.5 2 PLC ±- 3 PLC ±- 4 PLC ±- ANGLES ±1°	PRODUCT SPEC 108-22040 APPLICATION SPEC - WEIGHT -	NAME CONJUNTO TEL-SPLICE UNIVERSAL 2 POS. SIZE A3 CAGE CODE 00779 DRAWING NO C=737636 RESTRICTED TO -
MATERIAL -	FINISH -	CUSTOMER DRAWING	SCALE 10:1 SHEET 1 OF 2 REV E2


THIS DRAWING IS UNPUBLISHED. RELEASED FOR PUBLICATION .19 .  
 © COPYRIGHT 19 BY AMP INCORPORATED. ALL RIGHTS RESERVED.

LOC	DIST	REVISIONS			
P	LTR	DESCRIPTION	DATE	DWN	APVD
AL	2	-	SEE SHEET 1	-	-

NOTAS

- 1 CAPAZ DE CONECTAR CUALQUIER COMBINACION DE DOS HILOS RIGIDOS DE COBRE DE DIAMETROS DESDE 0.4 A 0.9 mm., o DE ALUMINIO DE  $\phi$ 0.5mm.  
 TO SPLICE ANY TWO WIRES 0.4 TO 0.9 mm. DIA. COPPER NOMINAL SOLID CONDUCTORS, OR 0.5 mm. DIA. ALUM. ALLOY NOMINAL SOLID CONDUCTORS.
- 2 DESPUES DE LA APLICACION "D" DEBE SER MAYOR O IGUAL A 0.  
 AFTER CRIMPING "D" MUST BE BIGGER OR EQUAL TO 0.
- 3 MATERIAL: CUERPO= POLIPROPILENO TRANSPARENTE  
 TAPA= POLIPROPILENO. VER TABLA PARA EL COLOR  
 CONTACTO= LATON, ESTANADO SOBRE NIQUEL.  
 PLASTIC PARTS= BODY: POLYPROPYLENE TRANSLUCENT  
 COVER: POLYPROPYLENE. SEE TABLE FOR THE COLOR  
 CONTACT= BRASS, TIN OVER NICKEL PLATED.
- 4 ESTE CONECTOR ADMITE CABLE DE  $\phi$ 2.03 mm. MAX. DE AISLANTE.  
 THIS PRODUCT COVERS INSULATION 2.03mm. DIA MAX.
- 5 EMBALAJE; 250 CONECTORES POR CAJA, DE ACUERDO A ESPEC. 107-22010  
 PACKAGING; 250 CONNECTORS PER BOX, ACCORDING TO SPEC. 107-22010
- 6 EMBALAJE; 100 CONECTORES POR CAJA, DE ACUERDO A ESPEC. 107-22010  
 PACKAGING; 100 CONNECTORS PER BOX, ACCORDING TO SPEC. 107-22010
- 7 ETIQUETADO PARA TELEFONICA SEGUN ESPEC. 107-22010  
 LABELING FOR SPANISH PTT PER SPEC. 107-22010
- 8 ETIQUETADO ESTANDARD SEGUN ESPEC. 107-22010  
 STANDARD LABELING PER SPEC. 107-22010
- 9 EMBALAJE: 500 CONECTORES POR CAJA, DE ACUERDO A ESPEC. 107-22010  
 PACKAGING: 500 CONNECTORS PER BOX, ACCORDING TO SPEC. 107-22010
- 10 ETIQUETADO PARA PORTUGAL TELECOM SEGUN ESPEC. 107-22010  
 LABELING FOR PORTUGAL TELECOM PER SPEC. 107-22010
- 11 EMBALAJE: 1000 CONECTORES POR CAJA, DE ACUERDO A ESPEC. 107-22010  
 PACKAGING: 1000 CONNECTORS PER BOX, ACCORNGING TO SPEC. 107-22010
- 12 ETIQUETADO PARA SOUTH AFRICA TELEKOM SEGUN ESPEC. 107-22010  
 LABELING FOR SOUTH AFRICA TELEKOM PER SPEC. 107-22010
- 13 ETIQUETADO PARA TELEFONICA DE ARGENTINA SEGUN ESPEC. 107-22010  
 LABELING FOR "TELEFONICA DE ARGENTINA" PER SPEC. 107-22010



THIS DRAWING IS A CONTROLLED DOCUMENT FOR AMP INCORPORATED. IT IS SUBJECT TO CHANGE AND THE CONTROLLING ENGINEERING ORGANIZATION SHOULD BE CONTACTED FOR THE LATEST REVISION.		DWN CARBONELL 31 JAN 91	 AMP Española, S.A. Barcelona, Spain.	
DIMENSIONS: mm		CHK J. SANABRA 05 FEB 91		
TOLERANCES UNLESS OTHERWISE SPECIFIED: 0 PLC ±- 1 PLC ±0.5 2 PLC ±- 3 PLC ±- 4 PLC ±- ANGLES ±1°		APVD P. DURAN 10 MAR 93	NAME CONJUNTO TEL-SPLICE UNIVERSAL 2 POS.	
MATERIAL		PRODUCT SPEC -	RESTRICTED TO	
FINISH		APPLICATION SPEC -	SIZE A3	CAGE CODE 00779
		WEIGHT -	DRAWING NO C=737636	
		CUSTOMER DRAWING	SCALE 10:1	SHEET 2 OF 2
				REV E2