

LED panel light

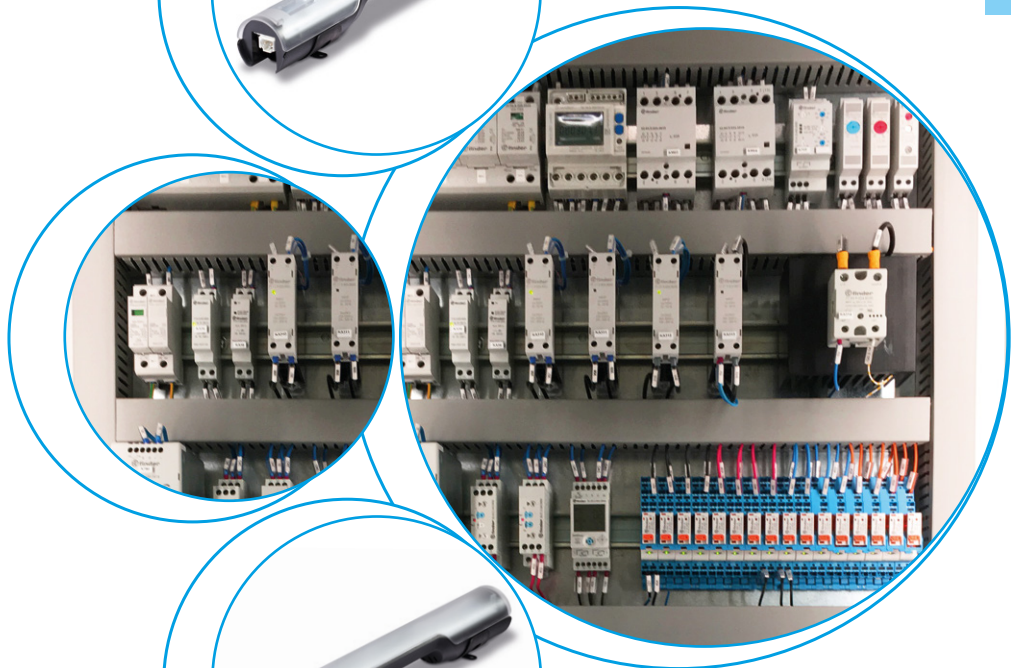
7L
SERIES



Panels for
electrical
distribution



Control panels



LED light for electrical panels

Type 7L.43.0.xxx.1x00

- 600 lumens
- Direct magnetic mounting or through a screw-fixed metallic support

Type 7L.46.0.xxx.1x00

- 1200 lumens
- Direct magnetic mounting or through a screw-fixed metallic support

- Low power consumption
- Radiation angle 120°
- Light colour 5000 K
- Push-in terminals for the connection to a single unit
- Plug-in terminals for the connection to a single or multiple units (up to 7 lamps)
- Design by Minelli - Fossati

NEW 7L.43.0.xxx.1x00



- 600 lumens, 9W
- With ON/OFF switch

NEW 7L.46.0.xxx.1x00



- 1200 lumens, 13W
- With ON/OFF switch

For outline drawing see page 7

Lamp Data

Type of lamp LED, viewing angle 120°, Light colour: daylight white, colour temperature: 5000 K

Luminous flux	lm	600	1200
---------------	----	-----	------

Life time	h	60000	
-----------	---	-------	--

Electrical Data

Operating voltage	V AC (50/60 Hz)/DC	12...48 - 110...240	
-------------------	--------------------	---------------------	--

Operating range	V AC/DC	9.6...52.8 - 88...264	
-----------------	---------	-----------------------	--

Nominal current @230 V AC	mA	39	54
---------------------------	----	----	----

Nominal current @24 V DC	mA	200	300
--------------------------	----	-----	-----

Rated power of the lamp @230 V AC	W	9	13
-----------------------------------	---	---	----

Rated power of the lamp @24 V DC	W	9	13
----------------------------------	---	---	----

General data

Connection cable to the lamp	Sheathed cable 2 x 1.5 mm ² , flexible with push-in or socket
------------------------------	--

Interconnectors from lamp to lamp	Sheathed cable 2 x 1.5 mm ² , flexible with plug and socket
-----------------------------------	--

Socket and plug	2-pole with interlock
-----------------	-----------------------

Type of mounting	Magnetic or clip fixing
------------------	-------------------------

Housing	Plastic, transparent
---------	----------------------

Ambient temperature	°C	-30...+50
---------------------	----	-----------

Protection class	II
------------------	----

Protection category	IP 20
---------------------	-------

Approvals (according to type)	CE
--------------------------------------	-----------

LED light for electrical panels

Type 7L.43.0.xxx.2x00

- 600 lumens
- Direct magnetic mounting or through a screw-fixed metallic support

Type 7L.46.0.xxx.2x00

- 1200 lumens
- Direct magnetic mounting or through a screw-fixed metallic support

- Low power consumption
- Radiation angle 120°
- Light colour 5000 K
- Push-in terminals for the connection to a single unit
- Plug-in terminals for the connection to a single or multiple units (up to 7 lamps)
- Design by Minelli - Fossati

NEW 7L.43.0.xxx.2x00



- 600 lumens
- With movement detector

NEW 7L.46.0.xxx.2x00



- 1200 lumens
- With movement detector

For outline drawing see page 8

Lamp Data

Type of lamp

LED, viewing angle 120°, Light colour: daylight white, colour temperature: 5000 K

Luminous flux Im 600 1200

Life time h 60000

Light ON time after last detection min 3

Electrical Data

Operating voltage V AC (50/60 Hz)/DC 12...48 - 110...240

Operating range V AC/DC 9.6...52.8 - 88...264

Nominal current @230 V AC mA 39 54

Nominal current @24 V DC mA 200 300

Rated power of the lamp @230 V AC W 9 13

Rated power of the lamp @24 V DC W 9 13

General data

Connection cable to the lamp Sheathed cable 2 x 1.5 mm², flexible with push-in or socketInterconnectors from lamp to lamp Sheathed cable 2 x 1.5 mm², flexible with plug and socket

Socket and plug 2-pole with interlock

Type of mounting Magnetic or clip fixing

Housing Plastic, transparent

Ambient temperature °C -30...+50

Protection class II

Protection category IP 20

Approvals (according to type)



Ordering information

Example: Series 7L, LED light with magnetic fixing, ON/OFF switch, supply voltage 12...48V AC/DC and push-in terminals.

7 L . 4 3 . 0 . 0 2 4 . 1 1 0 0

Series

Type

43 = LED lamp 600 lumens
46 = LED lamp 1200 lumens

Supply version

0 = AC (50/60 Hz)/DC

Supply voltage

024 = (12...48)V AC/DC
230 = (110...240)V AC/DC

Connections

1 = Push-in terminals for the connection to a single unit
2 = Plug-in terminals for the connection to a single or multiple units

Switching

1 = Switching via ON/OFF switch
2 = Switching via movement detector

All types

7L.43.0.024.1100	7L.46.0.024.1100
7L.43.0.024.1200	7L.46.0.024.1200
7L.43.0.024.2100	7L.46.0.024.2100
7L.43.0.024.2200	7L.46.0.024.2200
7L.43.0.230.1100	7L.46.0.230.1100
7L.43.0.230.1200	7L.46.0.230.1200
7L.43.0.230.2100	7L.46.0.230.2100
7L.43.0.230.2200	7L.46.0.230.2200

Accessories



07L.11 (included in the box)



07L.12 (not included)

0 7 L . 1 1

Type

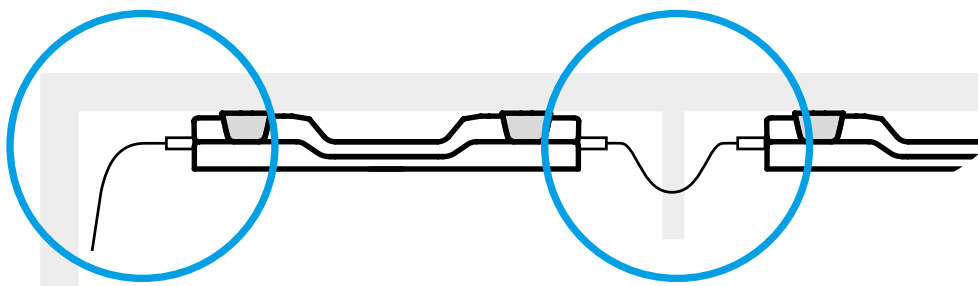
Sockets and plugs, coded, for connection to
a 2-pole cable (2 x 1.5 mm²), e.g. H05VV-F, 2 x 1.5 mm²

11 = Socket, loose for input side

12 = Plug, loose for output side

Connections

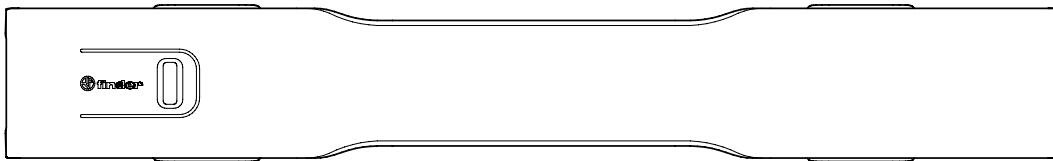
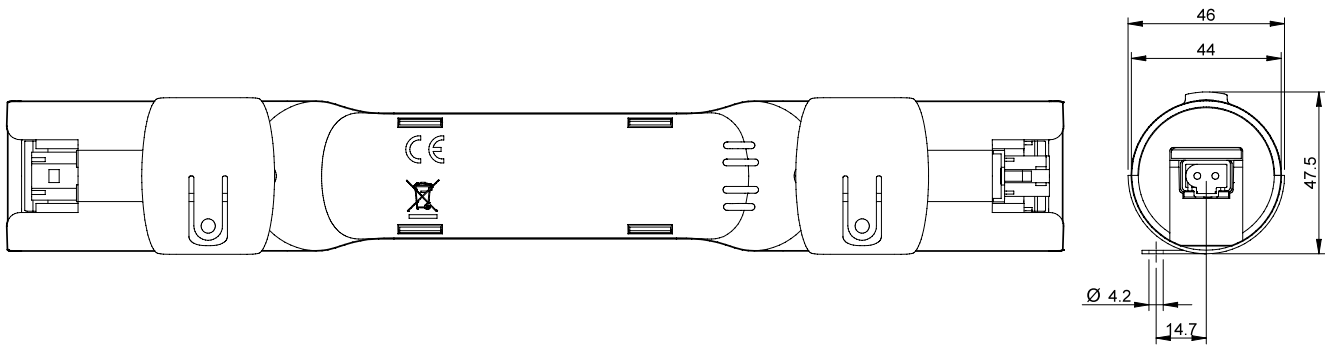
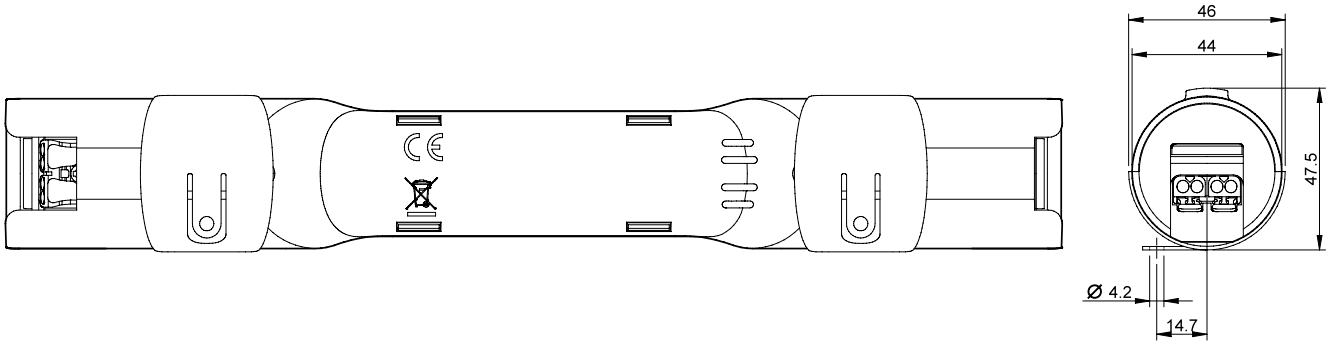
Quick and simple wiring system via
push-in terminals for the connection
to a single unit, or via **plug-in
terminals** for the connection to a
single or multiple units.



Multiple connection (up to 7 lamps)

Outline drawings

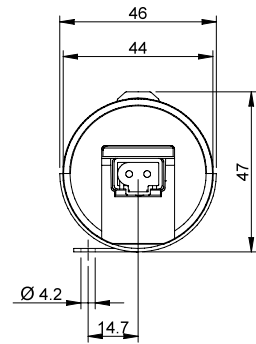
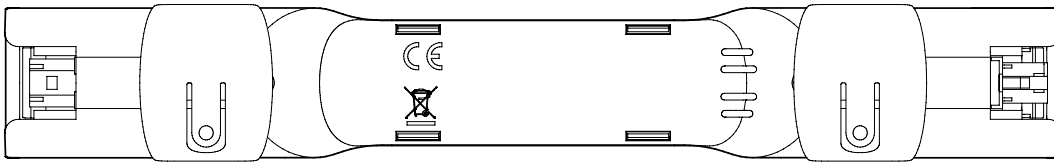
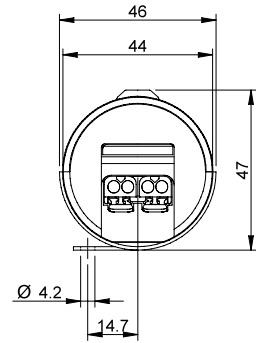
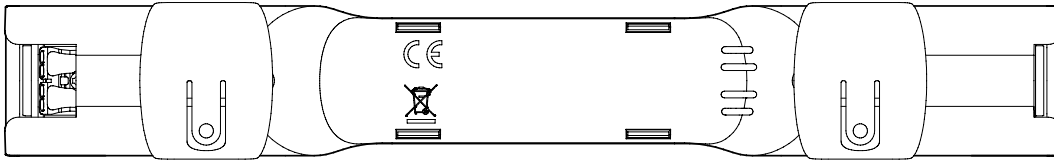
Types 7L.4x.0.xxx.1100 / 1200



G

Outline drawings

Types 7L.4x.0.xxx.2100 / 2200



G

