



Brand of NTN Group

Technical data

SESF205N

Bearing units

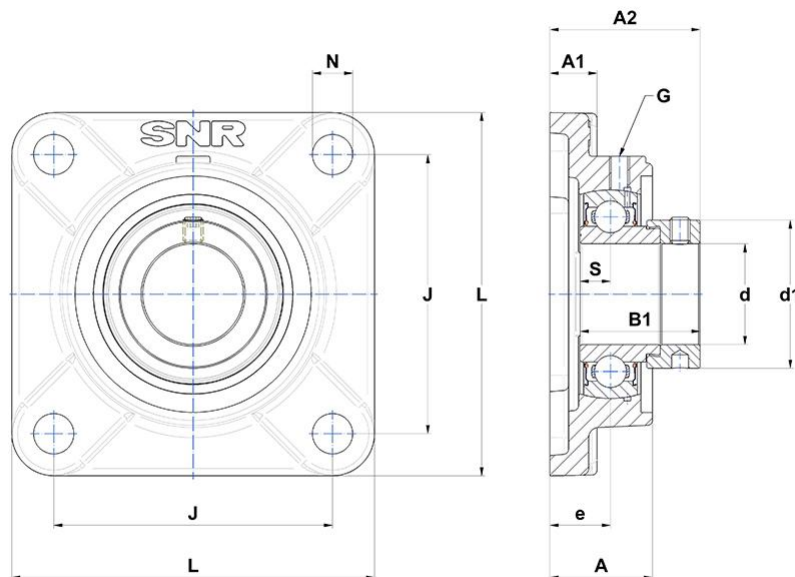


Stainless steel cast housing, stainless steel insert ball bearing with eccentric locking collar, single lip seal, food grease

KIT CONTENT

SES205, SF205N

VISUAL (S)



PRODUCT DEFINITION

| | |
|---|---------|
| Brand | SNR |
| A - Housing height | 27 mm |
| A1 - Housing foot height / flange height | 14 mm |
| A2 - Total height from mounting surface | 39,5 mm |
| B - Width of Inner Ring | 21,5 mm |



NTN Europe

1 rue des Usines · BP 2017 · 74010 Annecy Cedex · France · Tel. +33 (0)4 50 65 30 00
S.A. au capital de 322 639 919 € · RCS ANNECY B 325 821 072 · Id. Fiscale : FR 48 325 821 072
SIRET 325 821 072 00015 · Code APE 2815 Z · Code NACE 28.15

PRODUCT DEFINITION

| | |
|---|---------|
| B1 - Overall width Inner Ring | 31 mm |
| d - Shaft diameter | 25 mm |
| d1 - Outer dia of eccent. Lock. collar / nut of adapter sleeve | 38,1 mm |
| e - Distance mounting surface to bearing center | 16 mm |
| G - Grease fitting | M6x1 |
| J - Mounting holes distance | 70 mm |
| L - Housing width / diameter | 95 mm |
| N - Mounting hole dimension | 12 mm |
| S - Distance front side/bearing centre | 7,5 mm |

PRODUCT PERFORMANCE

| | |
|-----------------------------------|-------------|
| C - Dynamic load rating | 14000000 mN |
| C0 - Static load rating | 7800000 mN |
| Operating temperature min. | 253,15 °K |
| Operating temperature max. | 373,15 °K |

OTHER FEATURES

| | |
|--|---------|
| Mass | 0,93 kg |
| Recommended tightening torque for set screw | 3.9 N-m |

