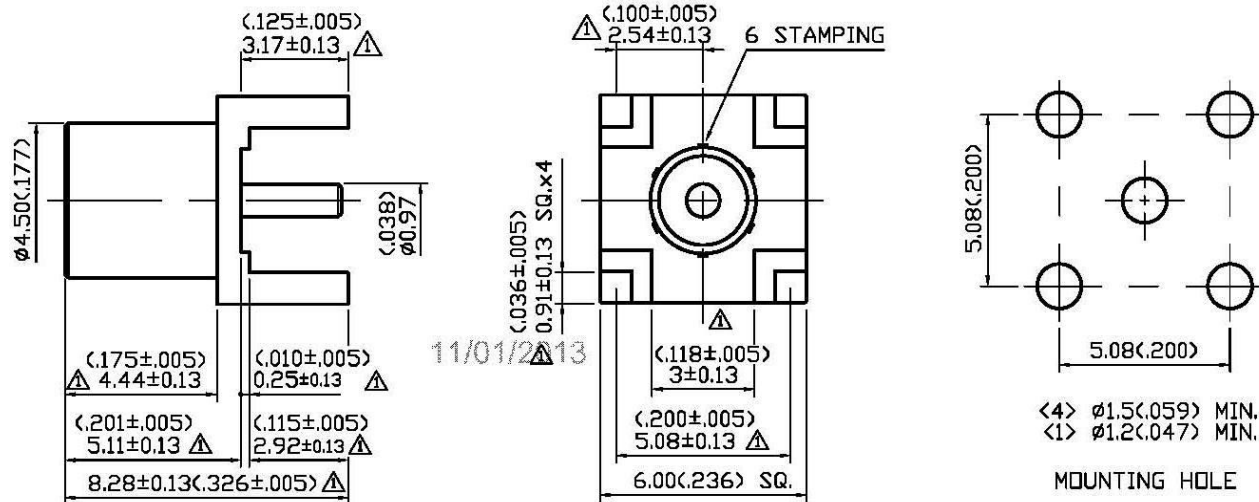


NO	DESCRIPTION	DATE
①	5.08 REF. - 5.08±0.13 8.28 - 8.28±0.13, 3.0 - 3±0.13 0.91 - 0.91±0.13, 3.17 - 3.17±0.13 4.44 - 4.44±0.13, 2.92 - 2.92±0.13 ADD 5.11±0.13, 0.25±0.13, 2.54±0.13	08.12.02'
②	MODIFICATION FINISH	02.25.03'
③	BACKGROUND FORMAT UPDATED	04.06.09'
④	MODIFICATION PARTS ①③	03.14.11'
⑤	WORKING VOLTAGE → VOLTAGE RATING DEL PROOF VOLTAGE ADD VSWR	11.01.13'



### 1.0 ELECTRICAL

- 1.1 FREQUENCY RANGE: DC-8 GHz
- 1.2 NOMINAL IMPEDANCE: 50 OHM
- 1.3 VOLTAGE RATING: 335 VOLTS MAX. ⚠
- 1.4 VSWR: 1.3 MAX. ⚠

### 2.0 MATERIALS

- 2.1 BODIES: BRASS PER JIS-C3604
- 2.2 CENTER CONTACT: BERYLLIUM COPPER PER ASTM B196 UNS C17300
- 2.3 INSULATION: TEFLON PER ASTM D1457 AND ASTM D1710

### 3.0 FINISHES AND OTHERS

- 3.1 SEE BELOW TABLE FOR DETAILS.

### 4.0 MECHANICAL

- 4.1 INTERFACE IN ACCORDANCE WITH: CECC 22220

### 5.0 ENVIRONMENTAL

- 5.1 OPERATING TEMPERATURE RANGE: -55° C TO +155° C

NO	DESCRIPTION	MATERIAL	Q'TY	FINISH
3	BODY	BRASS	1	NICKEL 100μ" MIN.
2	INSULATION	TEFLON	1	NONE
1	CENTER CONTACT	BERYLLIUM COPPER	1	GOLD 30μ" MIN.



APPROVED

by \_\_\_\_\_ DATE: \_\_\_\_\_

DESCRIPTION		MCX STRAIGHT PCB MOUNT JACK RECEPTACLE						
製圖	DRAWN	TOLERANCE	品名	27-05-2 T.G.N	日期	DATE	版次	REV.
	Yoko							
檢圖	CHECK	UNIT	單位	DWG.NO.	27-0008			
	Arc					mm(in)		
認定	APPROVAL	SCALE	比例					
	Angela			ANGLE ±5°	6:1			