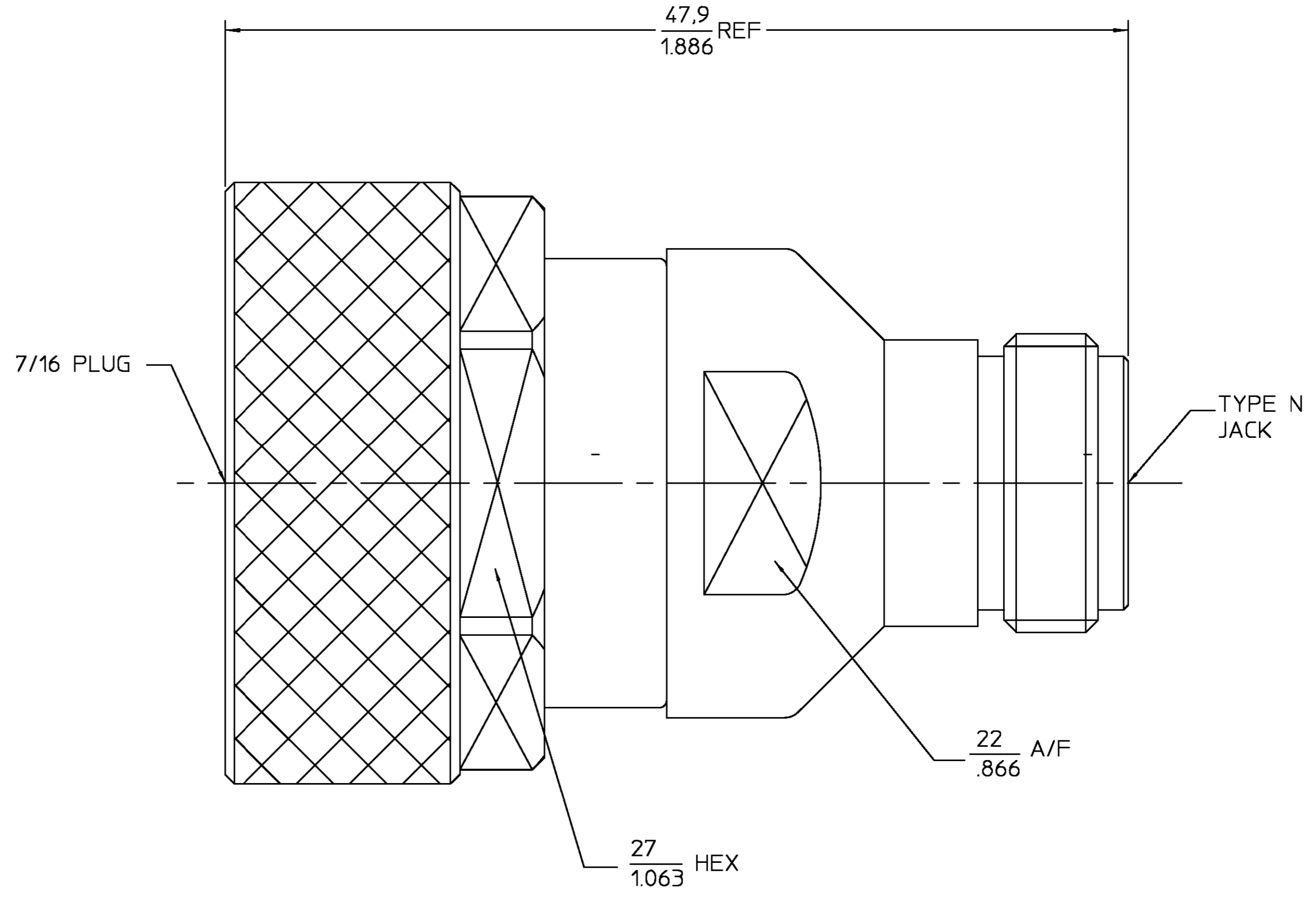
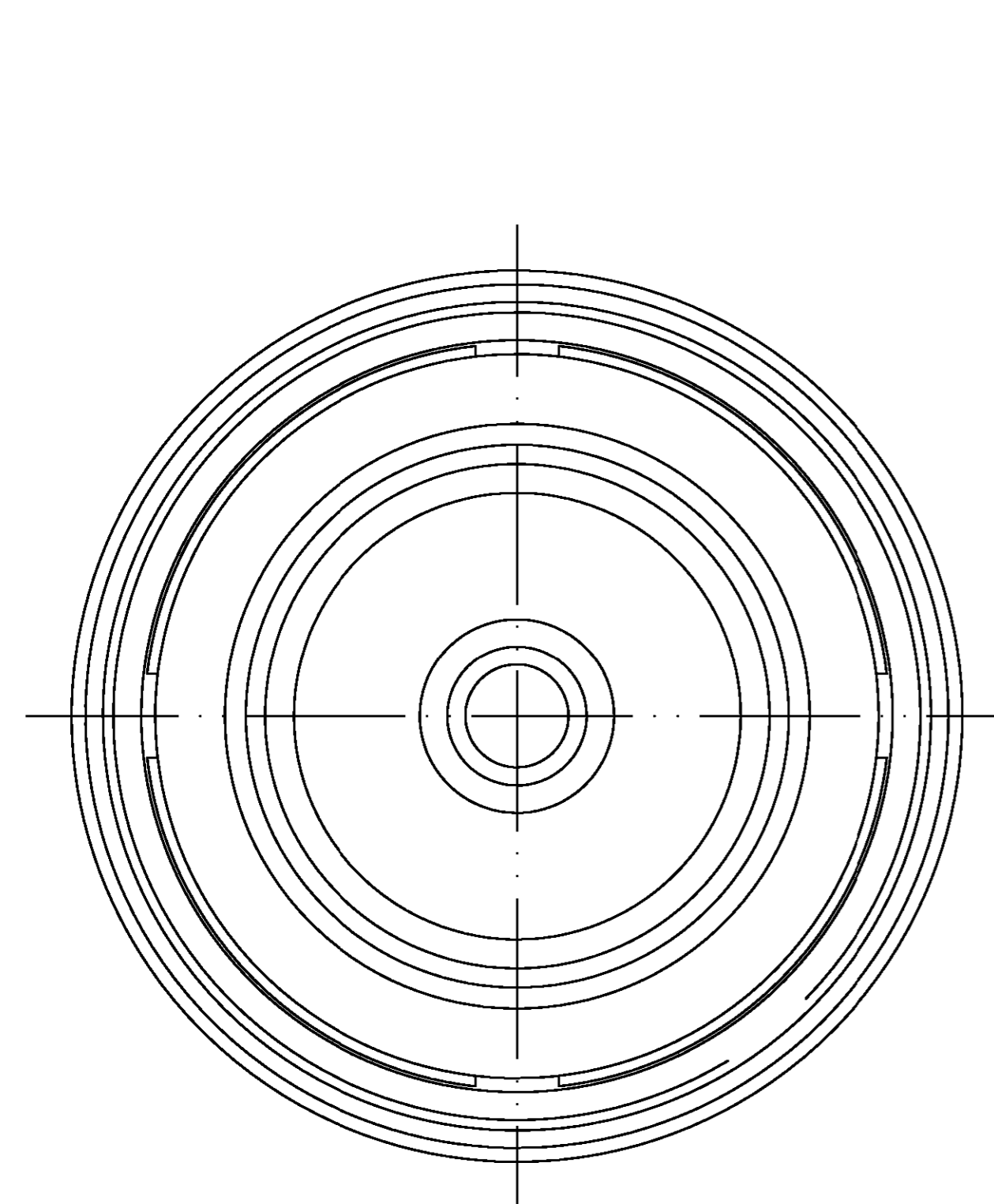


4 3 2 1

THIS DRAWING IS UNPUBLISHED. RELEASED FOR PUBLICATION
 COPYRIGHT BY TYCO ELECTRONICS CORPORATION. ALL RIGHTS RESERVED.

LOC		DIST		REVISIONS			
P	LTR	DESCRIPTION	DATE	DWN	APVD		
0		RELEASE	6/6/03	DCqm			



JACK HOUSING PLUG HOUSING COUPLING NUT	BRASS PER ASTM-B-16, 1/2 HD	INCH WHITE BRONZE
MALE CONTACT	BRASS PER ASTM-B-16, 1/2 HD	SILVER PER QQ-S-365
FEMALE CONTACT	BERYLLIUM COPPER PER ASTM-B-196	
GASKET	SILICONE RUBBER PER ZZ-R-765	N/A
DIELECTRICS	TEFLON PER ASTM-D-1457	
COMPONENT	MATERIAL	FINISH

1314596-1
 PART #

THIS DRAWING IS A CONTROLLED DOCUMENT.		DWN VM 08-16-01	AMP Tyco Electronics Corporation Norwood, MA 02062	
DIMENSIONS: MM/INCHES	TOLERANCES UNLESS OTHERWISE SPECIFIED:	APVD DCqm 6/6/03	NAME TYPE N JACK RO 7/16 PLUG ADAPTER (A55P21B999X)	
	±.127 MM ±.005 IN	PRODUCT SPEC	SIZE	CAGE CODE DRAWING NO
MATERIAL	ANGLES	APPLICATION SPEC	A2	26805
	±1°	WEIGHT	1314596	
		CUSTOMER DRAWING	SCALE 5:1	SHEET 1 OF 1 REV 0