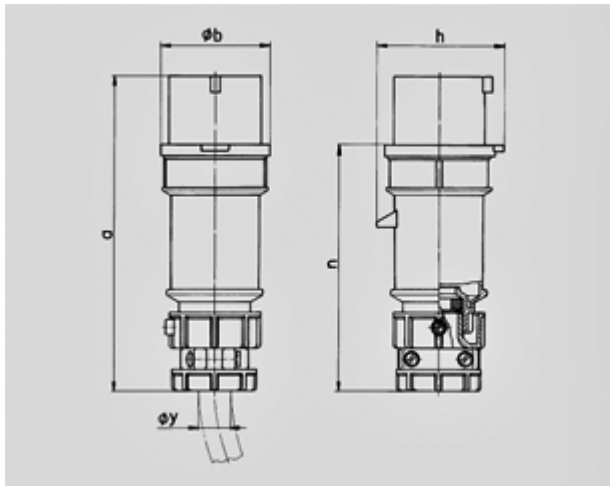


**Plug PowerTOP® - Part no. 3947**


- screw terminals
- highly heat resistant contact carrier
- nickel plated contacts
- cable gland and external cable grip

|                       |   |
|-----------------------|---|
| Protection type       | IP 44   |
| Ampere                | 32 A  |
| Poles                 | 4 p   |
| Voltage               | 400 V   |
| Hertz                 | 50-60 Hz  |
| Earth position        | 6 h   |
| Contact               | nickel plated contacts, highly heat resistant contact carrier |
| Connection technology | Screw terminals   |



| Drawing           | Amp.                                      | 16   |      |      | 32   |      |      |
|-------------------|---|------|------|------|------|------|------|
|                   |   | 3    | 4    | 5    | 3    | 4    | 5    |
| <b>2 MB 174</b>   | <b>Poles</b>                              |      |      |      |      |      |      |
| <b>Dim. in mm</b> | <b>a</b>                                  | 162  | 172  | 186  | 199  | 199  | 213  |
|                   | <b>b</b>                                  | 54   | 60   | 69   | 72   | 72   | 79   |
|                   | <b>h</b>                                  | 60   | 67   | 77   | 83   | 83   | 91   |
|                   | <b>n</b>                                  | 126  | 136  | 149  | 154  | 154  | 169  |
|                   | <b>y</b>                                  | 19   | 19   | 22   | 24,5 | 24,5 | 28,5 |
|                   | <b>Terminal for cond. cross</b>           | 1    | 1    | 1    | 2,5  | 2,5  | 2,5  |
|                   | <b>section (mm<sup>2</sup>) min.-max.</b> | -2,5 | -2,5 | -2,5 | -6   | -6   | -6   |