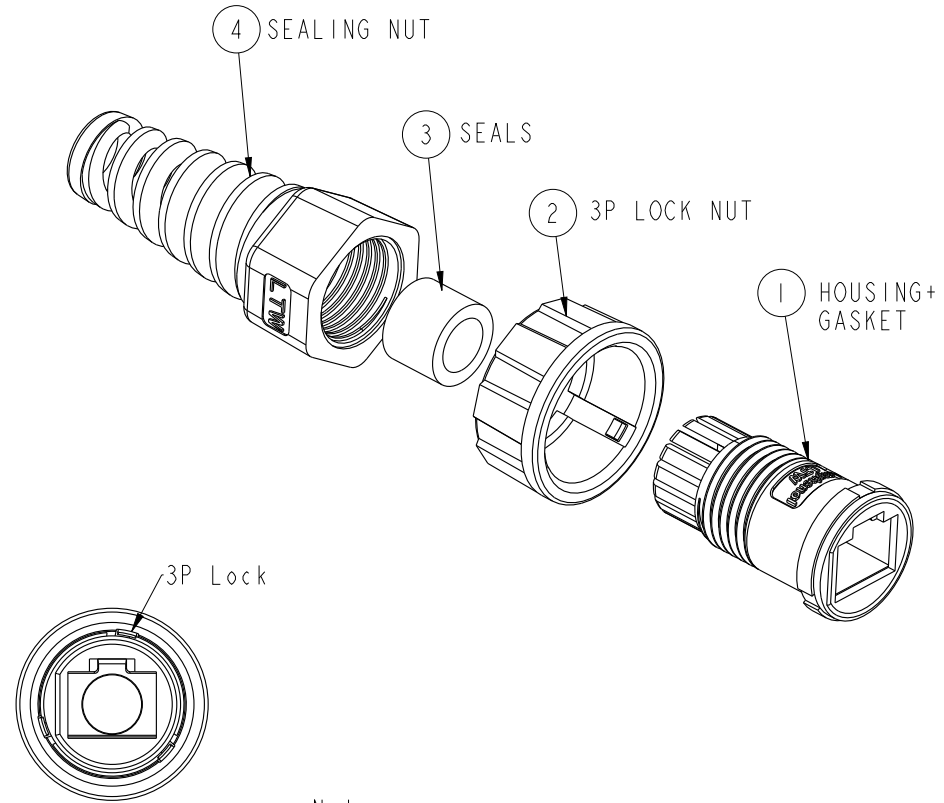
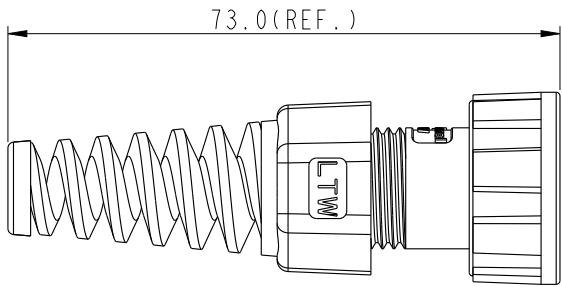
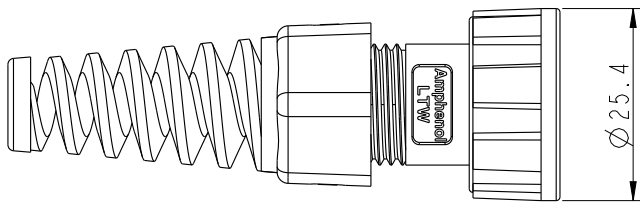




REV.	ECN NO.	DATE	SIGN	DESCRIPTION



ALTW  
DCC. DEPT.  
CONFIDENTIAL  
2013.05.07  
ISSUED

ALTW  
CONFIDENTIAL  
2013-04-25  
R&D DEPT.

- Note:
- \*  $\varnothing$  Important Dimension
  - \* Waterproof Rate : IP67 (Mating)
  - \* Housing : Nylon,Black
  - \* Gasket : Silicon,Dgray.
  - \* Screw Nut : Nylon+GF,Black
  - \* Sealing Nut: Nylon,Black
  - \* Seals: Silicon,Dgray.
  - \* Seals for cable OD  $\varnothing$  4.5~6.5mm
  - \* One Set Unassembled in One PE Bag.

UNIT : mm	 	TITLE RJ45 ASSY,CSIZE,3T WITH SR			<h1>Amphenol LTW</h1> 安費諾亮泰企業股份有限公司	ITEM NO RCP-00AMMA-TLM7001	DRAWN BY Laurence_zang	DATE 2013-04-25
		TOLERANCE .X ±0.25 .XX ±0.1 .XXX ±0.05 ANGLES ±1°	SCALE 1:1	SIZE A4		SHEET 1 OF 1	DWG NO RCP-00AMMA-TLM7001	CHECKED BY RAISON
REV. A	WC-REV. A.5	 Inspection item			CUSTOMER ALTW	APPROVED BY VICTOR	DATE 2013-04-25	

THIS DOCUMENT IS SUBJECT TO CHANGE WITHOUT NOTICE. IT IS CONFIDENTIAL AND A PROPERTY OF Amphenol LTW. DISCLOSURE TO THIRD PARTY HAS TO BE AUTHORIZED BY Amphenol LTW.