

PHILIPS

Lighting



MASTERColour CDM-TD

MASTERColour CDM-TD 150W/942 RX7s 1CT

Range of double-ended, compact, high-efficiency, discharge lamps with a stable color over lifetime and a crisp, sparkling light

Product data

General Information	
Cap-Base	RX7S [RX7s]
Operating Position	P45 [Parallel +/-45D or Horizontal(HOR)]
Life to 5% Failures (Nom)	9000 h
Life To 10% Failures (Nom)	13000 h
Life to 20% Failures (Nom)	15000 h
Life to 50% Failures (Nom)	16000 h
ANSI Code HID	M142/E

Light Technical	
Color Code	942 [CCT of 4200K]
Luminous Flux (Nom)	13750 lm
Luminous Flux (Rated) (Nom)	13650 lm
Color Designation	Cool White (CW)
Lumen Maintenance 10000 h (Nom)	70 %
Lumen Maintenance 2000 h (Min)	80 %
Lumen Maintenance 2000 h (Nom)	90 %
Lumen Maintenance 5000 h (Min)	75 %
Lumen Maintenance 5000 h (Nom)	85 %
Chromaticity Coordinate X (Nom)	0.380
Chromaticity Coordinate Y (Nom)	0.375
Correlated Color Temperature (Nom)	4200 K

Luminous Efficacy (rated) (Nom)	91 lm/W
Color Rendering Index (Nom)	96

Operating and Electrical	
Power (Nom)	150.0 W
Lamp Current Run-Up (Max)	2.5 A
Lamp Current (EM) (Nom)	1.8 A
Ignition Supply Voltage (Max)	198 V
Ignition Peak Voltage (Max)	5000 V
Ignition Supply Voltage (Min)	198 V
Re-Ignition Time (Min) (Max)	15 min
Ignition Time (Max)	30 s
Voltage (Max)	110 V
Voltage (Min)	96 V
Voltage (Nom)	103 V

Controls and Dimming	
Dimmable	No
Run-Up Time 90% (Max)	3 min

MASTERC colour CDM-TD

Mechanical and Housing	
Bulb Finish	Clear
Approval and Application	
Energy Efficiency Label (EEL)	A+
Mercury (Hg) Content (Nom)	8.29 mg
Energy Consumption kWh/1000 h	165 kWh
UV	
Pet (Niosh) (Min)	8 h/500lx
Damage Factor D/fc (Max)	0.4
Luminaire Design Requirements	
Bulb Temperature (Max)	650 °C

Pinch Temperature (Max)	300 °C
Product Data	
Full product code	871150020025915
Order product name	MASTERC colour CDM-TD 150W/942 RX7s 1CT
EAN/UPC - Product	8711500200259
Order code	928084805133
Numerator - Quantity Per Pack	1
Numerator - Packs per outer box	12
Material Nr. (12NC)	928084805133
Net Weight (Piece)	26.700 g
ILCOS Code	MD/UB-150/942-H-RX7s-25/135.4

Warnings and Safety

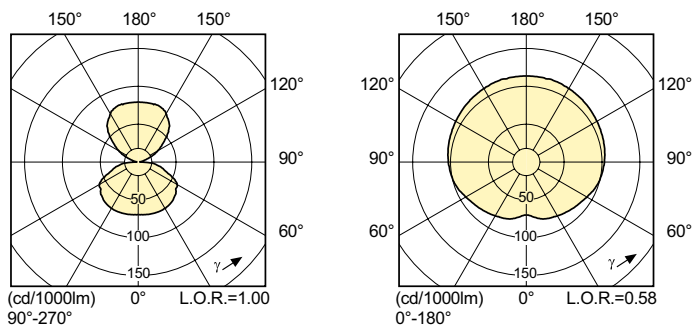
Dimensional drawing



Product	D (max)	D O	C (max)
MASTERC colour CDM-TD 150W/942 RX7s 1CT	22 mm	10 mm	137.43 mm

CDM-TD 150W/942 RX7s

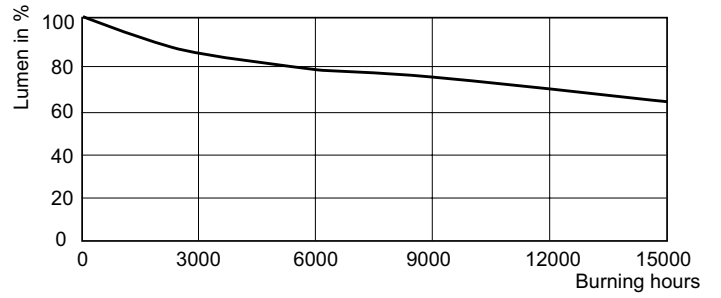
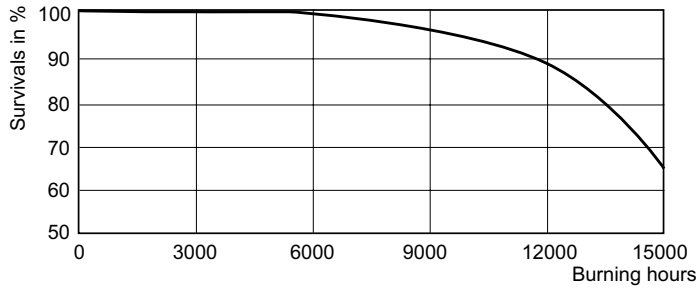
Photometric data



LDLD_CDM-TD_150W_942-Light distribution diagram

MASTERC colour CDM-TD

Lifetime



LDLM_CDM-TD_0001-Lumen maintenance diagram

