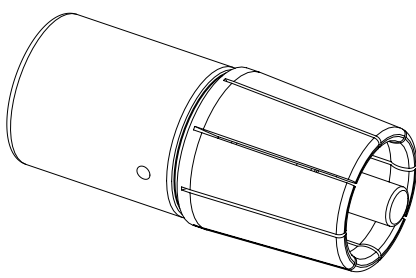



assembly notes see catalog
 crimp zone acc. to VDE 0295 class 5 / IEC 60228 class 5
 wire gauge: 120mm^2
 stripping length: 22mm



	All rights reserved Department EL PD	All Dimensions in mm Original Size DIN A4		Scale 2:1	Free size tol.		Ref.		
		Created by griepenstroh		Inspected by griepenstroh		Standardisation		Date 07-Nov-2024	
HARTING D-32339 Espelkamp		Title Han TC400_CT_SMC_F_CRT_120mm ² _Ag						State 40 - Released	
		Type TB		Design Number DS00238773		SAP Mat. Number 09110006676		Doc-Key / ECM-Nr. DS00238773	
						Rev. C		Page 1/1	