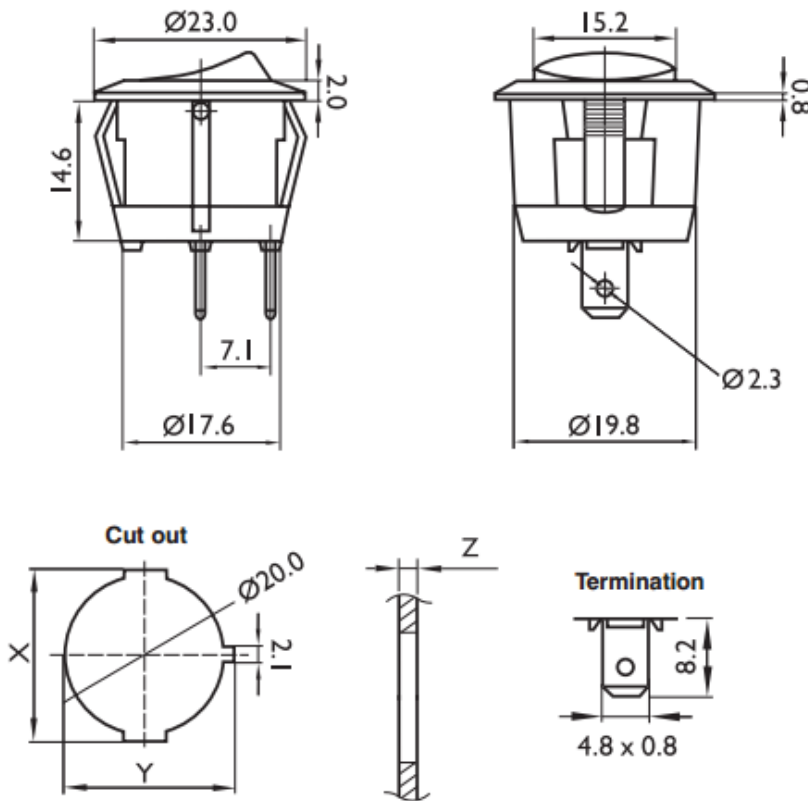


Datasheet

Round Rocker Switch

RS Stock number [793-2563](#)

Drawing (mm):



Specifications:

Rating:	6(2)A/250VAC T125/55 1E4 10A/125VAC		
Colour:	Black body/01 engraving		
Switch action:	SP on-off latching		
Max. contact resistance at DC 0.2V 1A:	30m Ω		
Min. insulation resistance:	500VDC 100m Ω		
Electrical life:	10,000 cycles		
Operation force:	300~600g		
Operating temperature:	-25°C ~ 125°C		
Cut out:	Z	Y	X
(diagram above)	0.75-1.25	20.8	20.2
	1.25-2.0	20.8	20.4
	2.0-3.0	20.8	20.6



ENGLISH

Features:

- ROHS Compliant
- Housing Material: Nylon #66 UL94V-2
- Rocker Material: UL 94V-2 #66
- Terminal Material: Copper alloy SN or AG plated
- Contact Material: AgNi (15) alloy plated