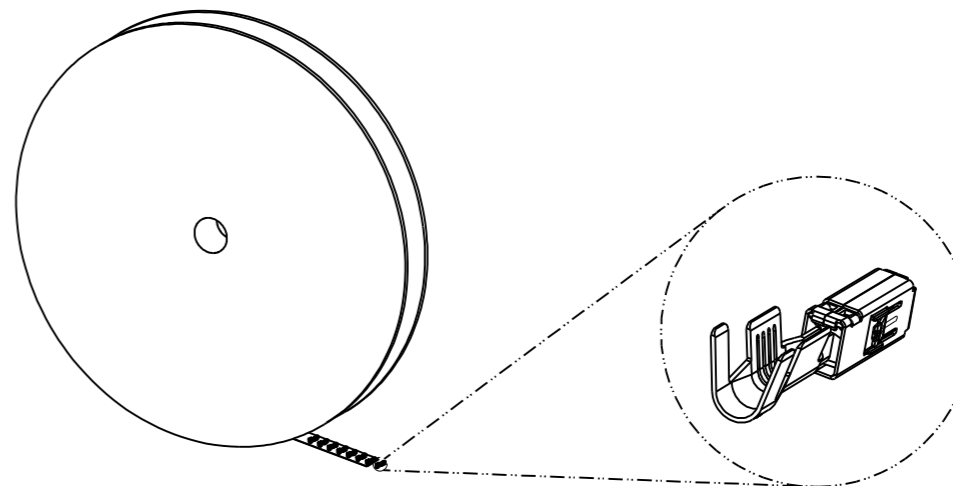
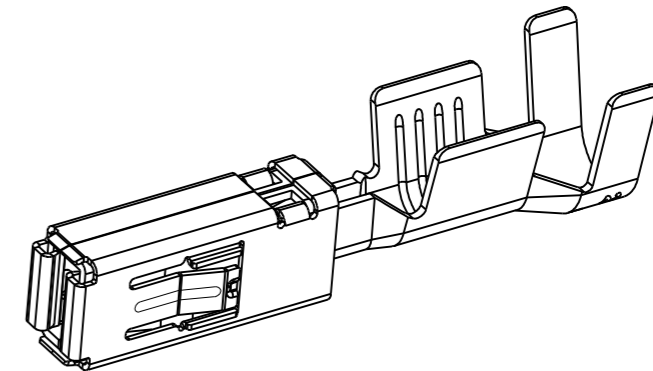
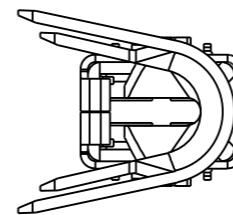
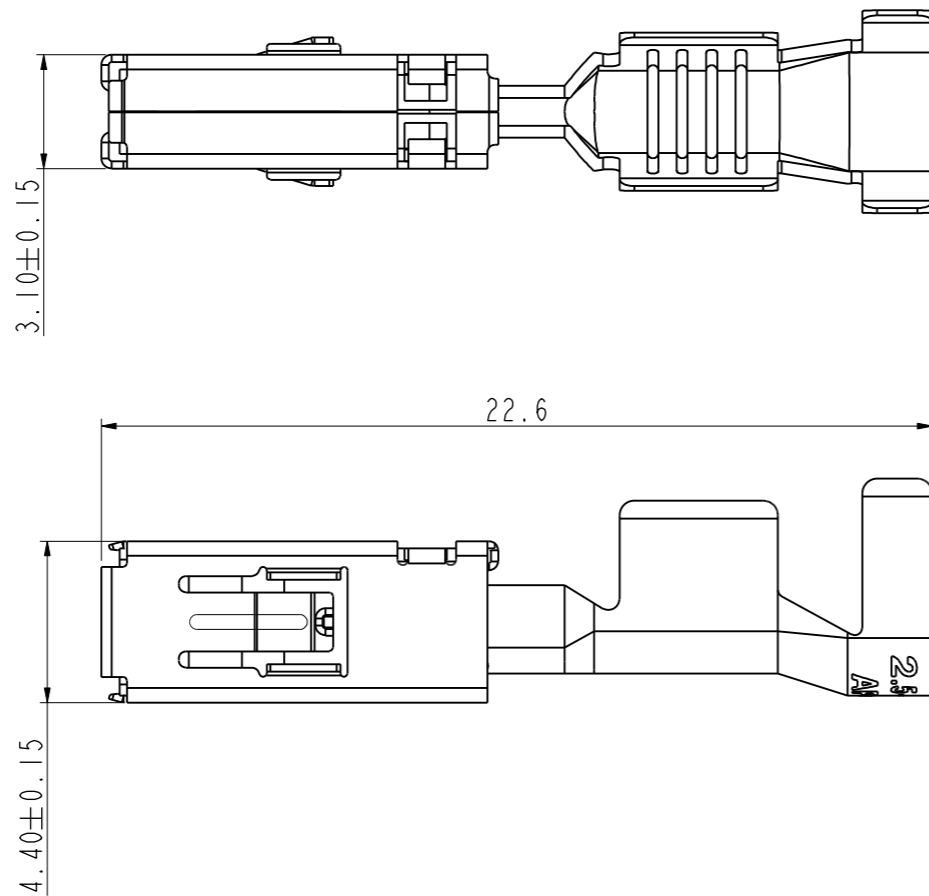


REV	ECN	DESCRIPTION	DATE	MODIFIED
B		UPDATE	2018.06.18	ROY.QU

Amphenol PCDSZ
ORIGINAL
PDF Format
R&D



TECHNICAL FEATURES

- 1. MATERIAL:**
CONTACT: COPPER ALLOY
TOP SPRING: STAINLESS
- 2. CONTACT FINISH: TIN PLATED**
- 3. WIRE SIZE RANGE: 2.5~4.0 MM²**
- 4. CURRENT CARRYING CAPACITY:**
UP TO 40 AMPERE (AT 20° C AMBIENT TEMPERATURE)
- 5. MATING FORCE: 8N MAX**
- 6. CONTACT RESISTANCE: NEW STATE < 2mΩ**
- 7. TAPE REEL PACKING**

C-C3100036125

C-C3100036125

DIMENSIONS ANSI Y14.5M UNITS: MM Pro/E FILE	TOLERANCES .X ±0.1 .XX ±0.01 ANGLES ±0.5°	PROJECTION 	Amphenol Pcd Shenzhen		TITLE 2.8*0.8 FEMALE PIN	
			ENGR ROY.QU 2018.06.18			
ORIGINAL	THIS DOCUMENT CONTAINS PROPRIETARY INFORMATION WHICH IS THE CONFIDENTIAL PROPERTY OF AMPHENOL PCD SHENZHEN	CHKD <i>Derek</i> APPD <i>[Signature]</i>	SIZE A3	DWG NO. C-C3100036125	REV B	
			CODE: 58982	SCALE: 2:1	SHEET 1 OF 1	