

STA® Magnetic Latching Pull Tubular — 1/2" Dia. x 1/2"

Part Number: 151082 - X XX

All catalog products manufactured after April 1, 2006 are RoHS Compliant

Coil AWG Number
(from performance chart below)

Plunger Configurations and anti-rotation flat on mounting
 1 Flat Face plunger without anti-rotation flat on mounting
 2 60° plunger without anti-rotation flat on mounting
 5 Flat Face plunger with anti-rotation flat on mounting
 6 60° plunger with anti-rotation flat on mounting

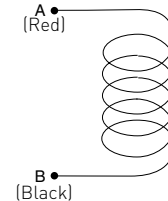
Well-suited for battery operation.



See the "Battery Operated Solenoids" section for complete information.

Coil Polarity

Latch: A+ B-
Unlatch: A- B+



Performance

	Unlatched Voltage	50%	25%	10%
Maximum Duty Cycle				
Maximum ON Time (sec) when pulsed continuously ¹	n/a	50	5	2
Watts (@ 20°C)	3	6	12	30
Ampere Turns (@ 20°C)	268	379	536	847

Coil Data

awg (0XX) ²	Resistance (@20°C)	# Turns ³	Unlatched VDC VDC	VDC (Nom)	VDC (Nom)	VDC (Nom)
27	0.48	108	1.2	1.7	2.4	3.8
28	0.67	123	1.5	2.1	2.9	4.6
29	1.33	184	1.9	2.7	4.0	6.1
30	1.80	204	2.4	3.3	4.7	7.5
31	3.33	290	3.1	4.4	6.2	9.7
32	4.57	325	3.8	5.3	7.5	11.9
33	7.80	432	4.8	6.8	9.7	15.3
34	13.10	567	6.2	8.8	12.4	20.0
35	17.80	630	7.6	11.0	15.0	24.0
36	29.05	808	9.6	14.0	19.0	30.0
37	45.70	1008	12.2	17.0	24.0	38.0

¹ Continuously pulsed at stated watts and duty cycle
² Other coil awg sizes available — please consult factory
³ Reference number of turns

Specifications

Operation	Pull
Dielectric Strength	500 VRMS
Recommended Minimum Heat Sink	Maximum watts dissipated by solenoid are based on an unrestricted flow of air at 20°C, with solenoid mounted on the equivalent of an aluminum plate measuring 2" square by 1/8" thick
Unlatch Voltage	See schematic and coil data
Magnet Hold Force	7.5 oz (with return spring)
Coil Insulation	Class "B"; 130°C max. temperature standard. Other temperature classes are available.
Spring Force	35.2 oz-in; 4.47 oz latched position
Weight	0.52 oz (14.74 g)
Plunger Weight	0.093 oz (2.63 gms)
Dimensions	Ø0.52" x 0.62" L (See page I 12)

How to Order

Add the plunger configuration, anti-rotation flat number, and the coil awg number to the part number (for example: to order a 60° plunger unit without an anti-rotation flat, rated for 4.7 VDC at 25% duty cycle, specify 151082-250).

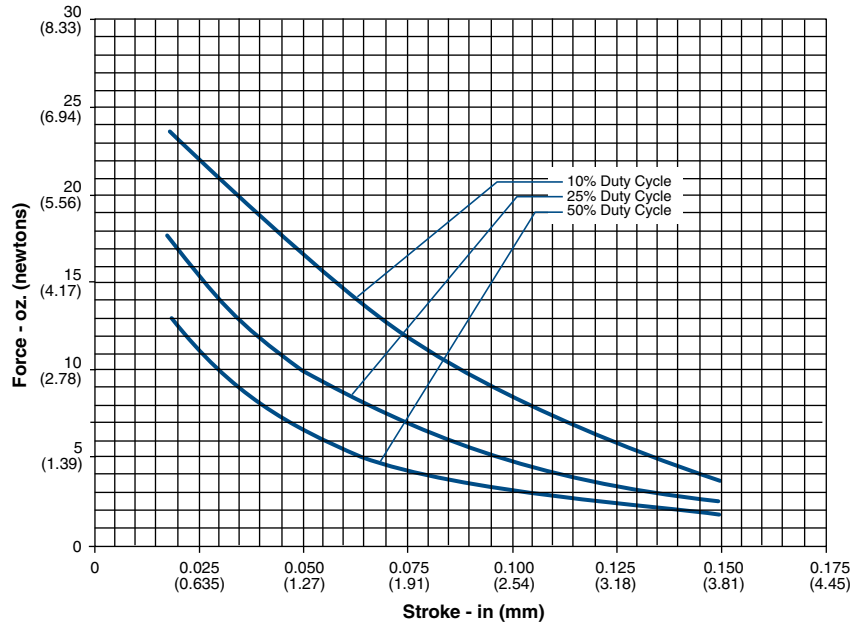
Please see www.ledex.com (click on Stock Products tab) for our list of stock products available through our North American distributors.

STA[®] Magnetic Latching Pull Tubular — 1/2" Dia. x 1/2"

Pull Tubular Solenoid — 1/2" dia. x 1/2" — 60° Plunger

All catalog products manufactured after April 1, 2006 are RoHS Compliant

Typical Force @ 20°C (Net, with Spring)



LINEAR Magnet Latch

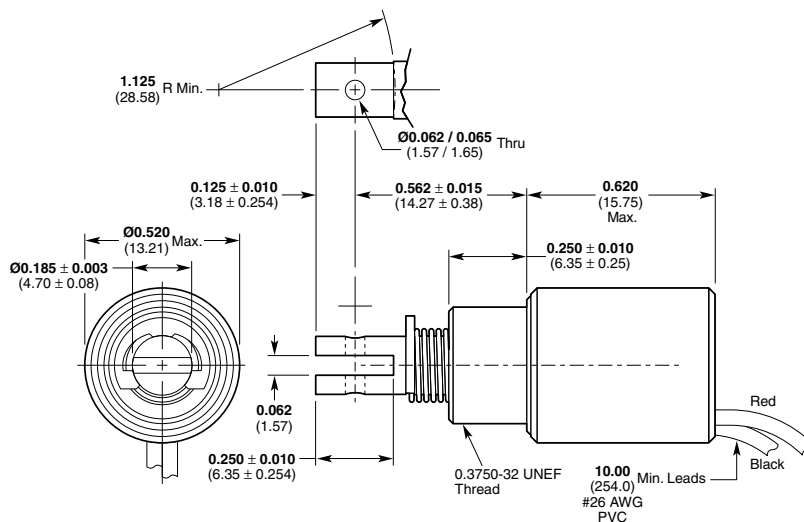
Force values for reference only.

All specifications subject to change without notice.

STA[®] Tubular Magnetic Latching Dimensions

Inches (mm)

STA[®] Series Magnetic Latching Pull — 1/2" Dia. x 1/2"



LINEAR Magnet Latch

All solenoids are illustrated in energized state

All specifications subject to change without notice.