

PROFESSIONAL LED FLOODLIGHT KYOTO

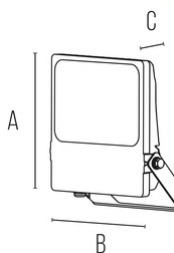
KYOTO3004G

300 W - 36000lm - 4000K

IP66

50.000 H

NOT DIMMABLE



DIMENSIONS	A	B	C
1	470	---	406

GENERAL INFORMATIONS	
Code	KYOTO3004G
Ean	8031453023560
Family	PROFESSIONAL LED FLOODLIGHT KYOTO
Technology	LED
Body material	Aluminum
Diffuser / lens material	Glass/Polycarbonate
Operating temperature (° C)	-30 - +45

PACKAGING	
Packaging	BOX
Pack	1

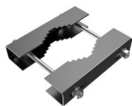
LIGHTING DATA	
Kelvin (°)	4000
Lumen	36000
Beam (°)	60
Luminous efficacy (lm / W)	120
Color rendering (CRI)	>70

TECHNICAL FEATURES	
Power (W)	300
Supply voltage (V) / Max (V)	100 / 240
Power frequency (Hz)	50/60
Insulation class	1
Power factor	0,93
Dimmer compatibility	NO

ACCESSORIES



KYOTO ACCESSORIES KYOTO-TP60



KYOTO ACCESSORIES KYOTO-M300

PROFESSIONAL LED FLOODLIGHT KYOTO

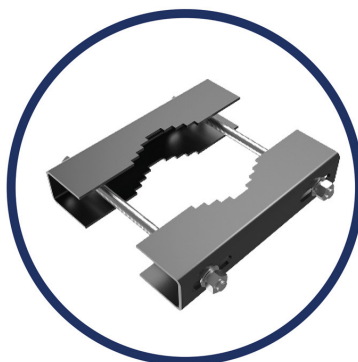
KYOTO3004G

300W - 36000lm - 4000K

- Professional LED projector
- High efficiency 120 lm / W
- Body in painted die-cast aluminum and diffuser in tempered glass
- Available with three different beams, Asymmetrical 120x50° (Type III), Concentrated 60 ° and Flood 120 °
- External vent to avoid condensation inside the projector
- Protection index IP66
- Overvoltage protection of 6KV line-line
- Overvoltage protection of 10KV line-earth (KYOTO300):
- Overvoltage protection of 12KV line-earth
- RAL9006 color



Accessorio testa per palo /
Pole adaptor



Accessorio morsa per palo /
Clamp bracket

