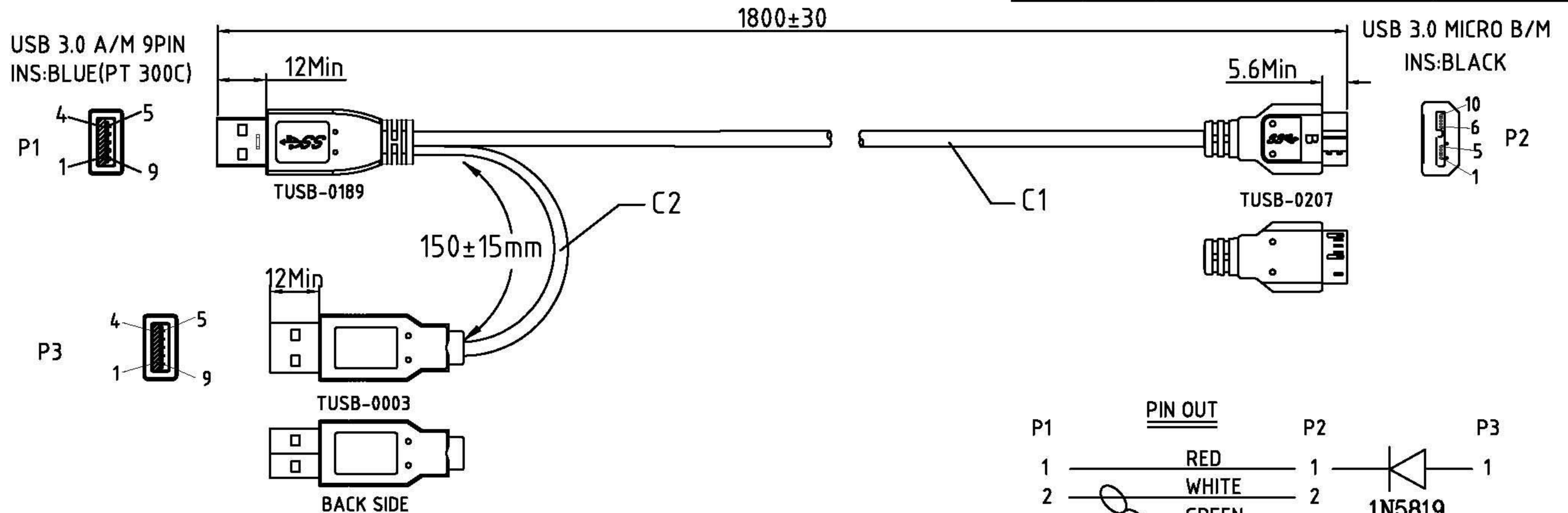


# RoHS-COMPLIANT

LTR	REV.	DESCRIPTION	DATE



PIN OUT			
P1		P2	P3
1	RED	1	1
2	WHITE	2	1N5819
3	GREEN	3	
4	BLACK	5	4
5	BLUE	6	
6	YELLOW	7	
7	D.W	8	
8	PURPLE	9	
9	ORANGE	10	
SHELL	B.D	SHELL	SHELL

- NOTE:
- CABLE: C1: UL-2725 [#28(7/0.127 T.C)×1P INS:Foam-PE+D.W(7/0.127 T.C)+AL/MY +Hot-melt-Mylar]×2C+#28(7/0.127 T.C)×1P INS:Polyolefin +#24(7/0.203 T.C)×2C INS:Polyolefin+AL/MY+B.D(85%) PVC JACKET; OD:5.5±0.15mm COLOR:WHITE(NK-W27) REV 3.0.  
C2: UL-2725 #28(7/0.127 T.C)×2C+AL/MY+SPIRAL PVC JACKET; OD:2.8±0.15mm COLOR:WHITE(NK-W27)
  - CONNECTOR: P1&P2:USB 3.0 A TYPE MALE 9PIN CONTACT:30u",SHELL:NI-PLATED.  
P3:USB 3.0 MICRO B TYPE MALE CONTACT:30u",SHELL:NI-PLATED.
  - HOOD: P1&P2:MOLDED TYPE,PVC 45P,COLOR:WHITE(NK-W27).  
P3:MOLDED TYPE,PVC 45P,COLOR:RED(NK-R01).
  - ELECTRICAL TEST:  
(1)100% OPEN SHORT & MIS WIRE TEST .  
(2)CONTACT RESISTANCE 3 ohm Max .  
(3)INSULATION RESISTANCE 10M ohm Min .
  - PACKING:EACH PC / POLYBAG+SMALL HEADER CARD+BAR CODE LABEL  
10 PCS / INNER CARTON  
4 PCS INNER CARTON / MASTER CARTON(SIZE: 460×280×245mm)

Tolerance	Inch	M/M
.X	.015	.30
.XX	.010	.10
.XXX	.005	.05

Draw FANNIE 06/23/11'  
Check  
Engr

**Rotronic Co., LTD.**

**ROLINE USB 3.0 Y-Cable, 2xAM - 1xMicro BM**

Item No.: 19.08.1008

Scale	NONE	Units	m/m	Third Angle Projection
Dwg No.	170-0017	REV:A	Sheet	1/1