

S-BL

Panel Mounted Key Operated Rotary switch



Description

The **S** is a panel mounted key operated rotary switch suitable for panel mounting.

Features & Benefits

- Direct drive operation - Positively opens contacts
- Available from 6 amps to 63 amps (specials upon request)
- Coding can be up to 3 lines of 7 characters
- Over 100,000 non-masterable lock combinations available
- 4NO 2NO/2NC, 6NO or 3NO/3NC (contacts available on request)
- Enclosure sealed to IP66

Application

Part of an interlock system the switch unit directly or indirectly isolates the electrical power to the machinery.

Operation

The switch is directly operated by the key, which is trapped in the lock when the power supply is **ON**. Releasing the key turns the power **OFF**. Other configurations are available to special order.

Construction

Mounting Plate: Mild Steel

Lock Mechanism: Brass, with nickel-chrome finish to lock casing and fitted with hinged dustcover.

Key: Chrome plated brass.

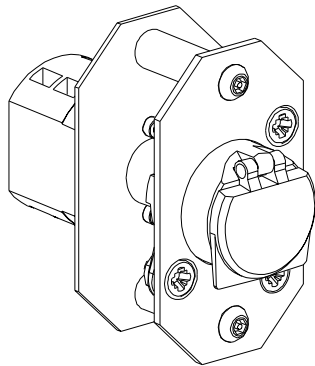
Keys

Please note keys are ordered separately.

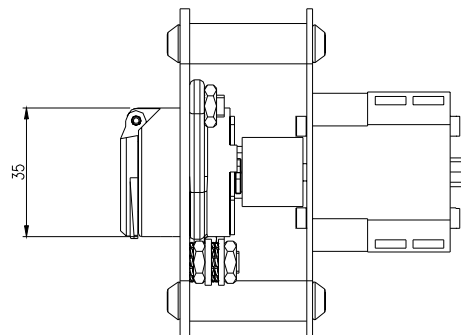
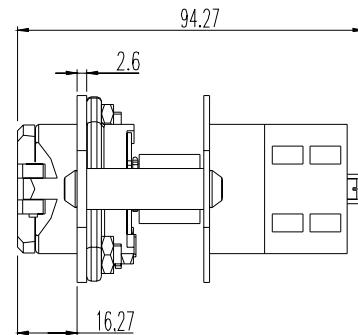
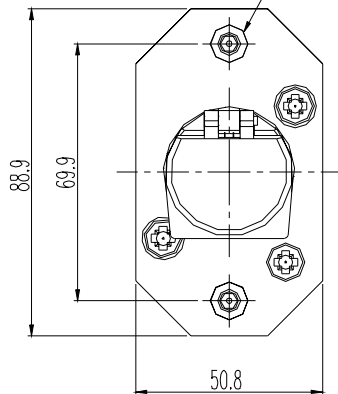
Options

- CL or BL lock options
- Part/All Stainless Steel Basic Locks
- Stainless Steel dustcover
- Screw-on dustcover
- Optional Key/bolt sequences
- Stainless Steel bolt
- Non-standard bolts
- Claw type bolt (KGRQC)

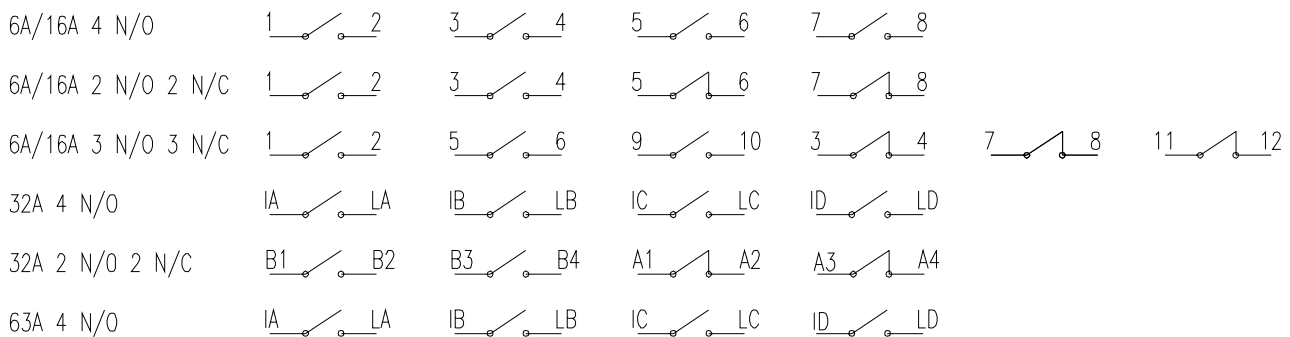
S-BL



TO MOUNT UNIT, DRILL PANEL
Ø6.5 IN 2 PLACES, REMOVE
PIN-HEX SCREWS AND REFIT
THROUGH PANEL.



Wiring Diagram



SWITCH CONFIGURATION	DIM A	DIM B	DIM C
6A/16A 4 POLE	77.1	35.0	43.5
6A/16A 6 POLE	87.6	35.0	43.5
40A 4 POLE	84.1	82.0	70.0
63A 4 POLE	112.1	110.0	70.0



PRODUCT TYPE	LOCK TYPE	LOCK MATERIAL	DUSTCOVER	SWITCH AC/DC	SWITCH AMPS	SWITCH CONTACTS
S	BL	BRASS LOCK	PLASTIC DUST COVER	AC SWITCH	016 SWITCH AMPS	4 NORMALLY OPEN 0 NORMALLY CLOSED
PART NUMBER			S-BLBP-A01640			

Ordering and Example

Part Numbering - Please specify the following information at the point of ordering:-

- Product Type: S
- Lock Type: BL-BL
- Lock Material: B-Brass Lock
- Dustcover: P-Plastic Dust Cover
- Switch AC/DC: AC-AC Switch
- Switch Amps: 016-016 Switch Amps
- Switch Contacts: 4-4 Normally Open 0 Normally Closed

PART NUMBER: S-BLBP-A01640

If a product is not classified as a standard Fortress product the part number will be followed by X001 to denote its status.