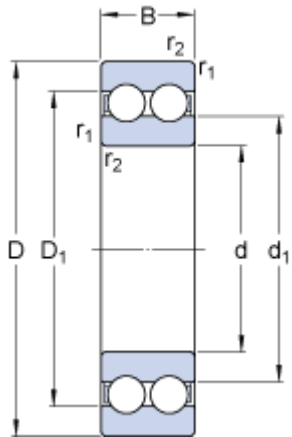


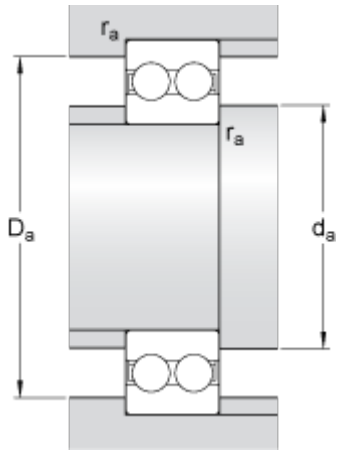
4208 ATN9

Dimensions



d		40	mm
D		80	mm
B		23	mm
d ₁	≈	54	mm
D ₁	≈	66	mm
r _{1,2}	min.	1.1	mm

Abutment dimensions



d _a	min.	47	mm
D _a	max.	73	mm
r _a	max.	1	mm

Calculation data

Basic dynamic load rating	C	37.1	kN
Basic static load rating	C ₀	32.5	kN
Fatigue load limit	P _u	1.4	kN
Reference speed		13000	r/min
Limiting speed		7000	r/min
Calculation factor minimum radial load	k _r	0.05	
Calculation factor	f ₀	15	

Mass

Mass bearing		0.5	kg
--------------	--	-----	----