



Cable Assemblies > Copper Cable Assemblies > M8/M12 Cable Assemblies > M12 A-Code Male Straight Pigtail



Cable Assembly Length: 10 m [32.8 ft]

M8/M12 Application Type: **Sensor/Actuator**

Number of Positions: 4

Connector & Keying Code: **A**

Cable Assembly Type: **M12 Pigtail**

[All M12 A-Code Male Straight Pigtail \(8\)](#)

Features

Product Type Features

Cable Assembly Type	M12 Pigtail
Cable Assembly (End A)	M12 Plug

Configuration Features

Configuration Number	A
Number of Positions	4

Electrical Characteristics

Operating Voltage	60 VDC
-------------------	--------

Body Features

Jacket Material	PVC
Connector Color (End A)	Blue
Cable Color	Gray
Wire Color (Base)	Brown, White, Black, Blue
Connector & Keying Code	A

Contact Features

Contact Current Rating (Max)	4 A
------------------------------	-----

Mechanical Attachment

Thread Size	M12
-------------	-----

Connector Orientation (End A)	Straight
-------------------------------	----------

Housing Features

Housing Material	Plastic
------------------	---------

Dimensions

Outside Cable Diameter	5.9 mm[.23 in]
------------------------	----------------

Wire Size	22 AWG
-----------	--------

Operation/Application

M8/M12 Application Type	Sensor/Actuator
-------------------------	-----------------

Shielded	Yes
----------	-----

Packaging Features

Packaging Method	Box
------------------	-----

Packaging Quantity	25
--------------------	----

Other

Field Serviceable	Yes
-------------------	-----

Cable Assembly Length	10 m[32.8 ft]
-----------------------	---------------

Cable Assembly Configuration	Single Ended
------------------------------	--------------

Product Compliance

[For compliance documentation, visit the product page on TE.com>](#)

EU RoHS Directive 2011/65/EU	Compliant
------------------------------	-----------

EU ELV Directive 2000/53/EC	Compliant
-----------------------------	-----------

China RoHS 2 Directive MIIT Order No 32, 2016	有害物质含量符合标准要求 No Restricted Substance(s) Above Threshold
---	---

EU REACH Regulation (EC) No. 1907/2006	Current ECHA Candidate List: JUNE 2025 (250) Candidate List Declared Against: JUL 2021 (219) Does not contain REACH SVHC
--	--

Halogen Content	Not Low Halogen - contains Br or Cl > 900 ppm.
-----------------	--

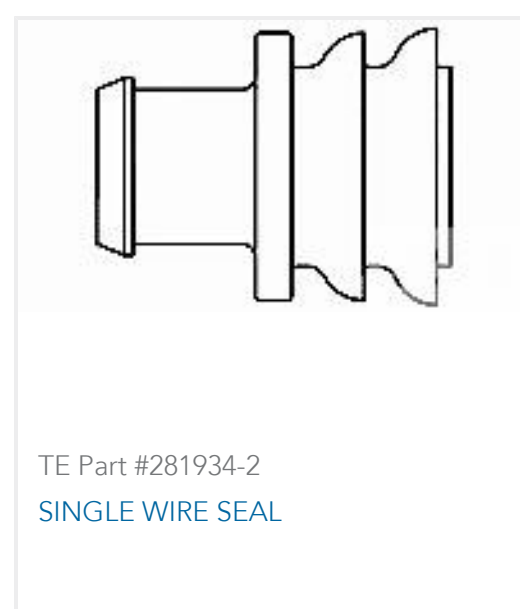
Solder Process Capability	Not applicable for solder process capability
---------------------------	--

Product Compliance Disclaimer

This information is provided based on reasonable inquiry of our suppliers and represents our current actual knowledge based on the information they provided. This information is subject to change. The part numbers that TE has identified as EU RoHS compliant have a maximum concentration of 0.1% by weight in homogenous materials for lead, hexavalent

chromium, mercury, PBB, PBDE, DBP, BBP, DEHP, DIBP, and 0.01% for cadmium, or qualify for an exemption to these limits as defined in the Annexes of Directive 2011/65/EU (RoHS2). Finished electrical and electronic equipment products will be CE marked as required by Directive 2011/65/EU. Components may not be CE marked. Additionally, the part numbers that TE has identified as EU ELV compliant have a maximum concentration of 0.1% by weight in homogenous materials for lead, hexavalent chromium, and mercury, and 0.01% for cadmium, or qualify for an exemption to these limits as defined in the Annexes of Directive 2000/53/EC (ELV). Regarding the REACH Regulation, the information TE provides on SVHC in articles for this part number is based on the latest European Chemicals Agency (ECHA) 'Guidance on requirements for substances in articles' posted at this URL: <https://echa.europa.eu/guidance-documents/guidance-on-reach>

Customers Also Bought



Documents

CAD Files

3D PDF

3D

Customer View Model

[ENG_CVM_CVM_1-2273044-4_A.2d_dxf.zip](#)

English

Customer View Model

[ENG_CVM_CVM_1-2273044-4_A.3d_igs.zip](#)

English

Customer View Model

[ENG_CVM_CVM_1-2273044-4_A.3d_stp.zip](#)

English

By downloading the CAD file I accept and agree to the [Terms and Conditions](#) of use.

Datasheets & Catalog Pages

M8 / M12 Connector System Catalog

Japanese



M8 / M12 Connector System Catalog

English

Product Specifications

Product Specification

English