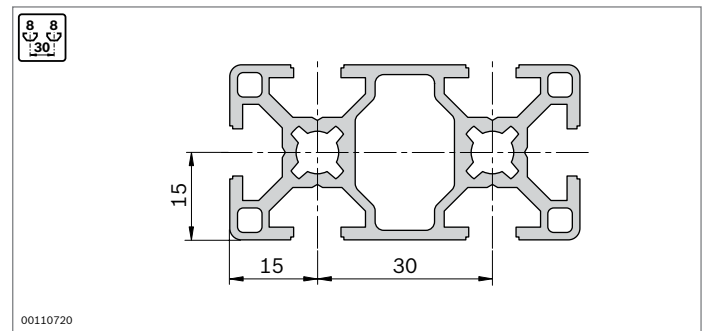
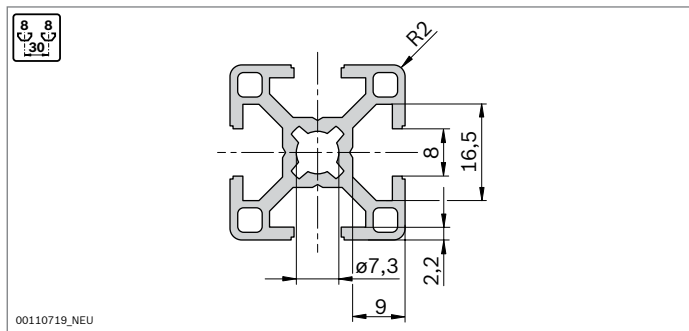


# Strut profiles with 8 mm slot

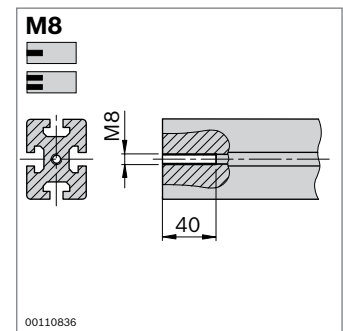
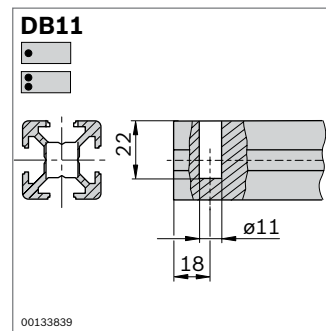
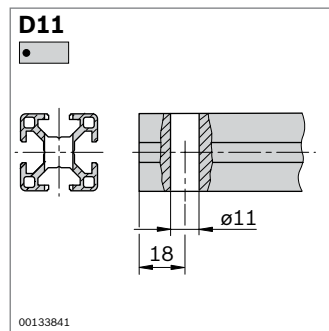
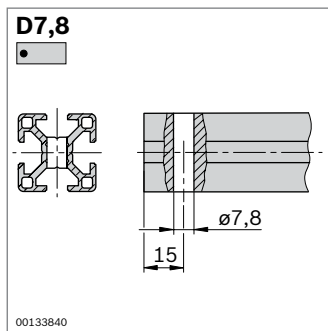
Strut profiles with a 8 mm slot are suitable for medium loads, such as material shuttles, light fixtures, frames and partition walls.

Profile 30x60x60 is suitable for constructing showcases and flow racks. Attractive covers and hoods can be designed with radius profiles.

## Slot, modular dimensions, central bore



## Profile finishing

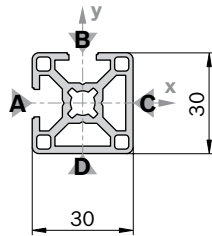


## Minimum profile lengths (mm) for Quick & Easy standard profile finishing on one or both sides

	-	M8	D7.8	D11/DB11
-	50	50	50	50
M8	50	80	62	70
D7.8	50	62	60	50
D11/DB11	50	70	50	60

**30x30 2NVS**

A = 3,5 cm<sup>2</sup>  
 $I_x = 3,1 \text{ cm}^4$   
 $I_y = 3,1 \text{ cm}^4$   
 $W_x = 2,0 \text{ cm}^3$   
 $W_y = 2,0 \text{ cm}^3$   
 m = 1,0 kg/m



19181

Cover cap: See 30x30

<b>30x30 2NVS</b>		<b>L (mm)</b>	<b>No.</b>
1 pcs		50 ... 5600	<b>3 842 992 398 / L</b>
20 pcs		5600	<b>3 842 506 949</b>

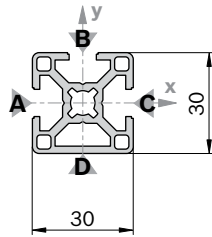
**Quick & Easy** (p. 2-8, see fold-out section)

<b>30x30 2NVS</b>		<b>3 842 993 706 / ...</b>
Length L (mm)	50 ... 5600	
Standard profile finishing (note minimum length, p. 2-16)	M8 / D7.8 / D11 / DB11	
Customized profile finishing ( $L_{\max} = 4900 \text{ mm}$ )	DI / DIS / MT / MTS / MI / MIS / DG <sup>1)</sup>	

<sup>1)</sup>  $DG_{\max} = 45^\circ$ ;  $L_{\min1} / L_{\min2} = 352 / 404 \text{ mm}$

**30x30 3N**

A = 3,3 cm<sup>2</sup>  
 $I_x = 3,1 \text{ cm}^4$   
 $I_y = 2,8 \text{ cm}^4$   
 $W_x = 2,3 \text{ cm}^3$   
 $W_y = 2,1 \text{ cm}^3$   
 m = 0,9 kg/m



19182

Cover cap: See 30x30

<b>30x30 3N</b>		<b>L (mm)</b>	<b>No.</b>
1 pcs		50 ... 5600	<b>3 842 992 400 / L</b>
20 pcs		5600	<b>3 842 506 951</b>

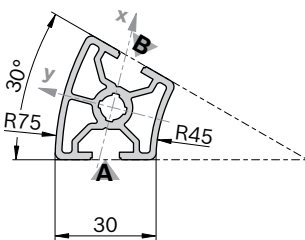
**Quick & Easy** (p. 2-8, see fold-out section)

<b>30x30 3N</b>		<b>3 842 993 707 / ...</b>
Length L (mm)	50 ... 5600	
Standard profile finishing (note minimum length, p. 2-16)	M8 / D7.8 / D11 / DB11	
Customized profile finishing ( $L_{\max} = 4900 \text{ mm}$ )	DI / DIS / MT / MTS / MI / MIS / DG <sup>1)</sup>	

<sup>1)</sup>  $DG_{\max} = 45^\circ$ ;  $L_{\min1} / L_{\min2} = 352 / 404 \text{ mm}$

**30x30°**

A = 3,7 cm<sup>2</sup>  
 $I_x = 3,5 \text{ cm}^4$   
 $I_y = 3,6 \text{ cm}^4$   
 $W_x = 2,0 \text{ cm}^3$   
 $W_y = 1,9 \text{ cm}^3$   
 m = 1,0 kg/m



19183

<b>30x30°</b>		<b>L (mm)</b>	<b>No.</b>
1 pcs		50 ... 5600	<b>3 842 993 010 / L</b>
20 pcs		5600	<b>3 842 524 031</b>

**Quick & Easy** (p. 2-8, see fold-out section)

<b>30x30°</b>		<b>3 842 993 708 / ...</b>
Length L (mm)	50 ... 5600	
Standard profile finishing (note minimum length, p. 2-16)	M8	
Customized profile finishing	—	

<b>Cover cap</b>	<b>Color</b>	<b>ESD</b>		<b>No.</b>
<b>30x30° (1x)</b>	Signal gray		20	<b>3 842 551 008</b>
<b>30x30° (1x)</b>	Black		20	<b>3 842 551 009</b>

Material: PP