

IEC Appliance Inlet C20 with Line Switch, 2-pole



Snap-In Version or Screw-On Version

illuminated version



Description

- Panel Mount:
Screw-on version from front or rear side, snap-in version from front side
- 2 Functions:
Appliance Inlet Protection class I, Line Switch 2-pole
- Quick connect terminals 6.3 x 0.8 mm

Approvals

- VDE Certificate Number: 40001031
- UL File Number: E96454

Characteristics

- All single elements are already wired
Unwired versions available on request
- Line switch non-illuminated or illuminated
- Ideal for application with high transient loads
- Suitable for use in equipment according to IEC/UL 60950

Other versions on request

- Unwired versions
- Line switch with other rocker marking
- For protection class II
- Variant with notch for V-Lock mating Cordsets

References

Alternative: version with line filter [EC12](#)

Weblinks

[pdf-datasheet](#), [html-datasheet](#), [General Product Information](#), [Approvals](#), [CE declaration of conformity](#), [RoHS](#), [CHINA-RoHS](#), [REACH](#), [Mating Connectors](#), [e-Shop](#), [SCHURTER-Stock-Check](#), [Distributor-Stock-Check](#), [CAD-Drawings](#), [Accessories](#), [Wire Harnessing](#), [Detailed request for product](#)

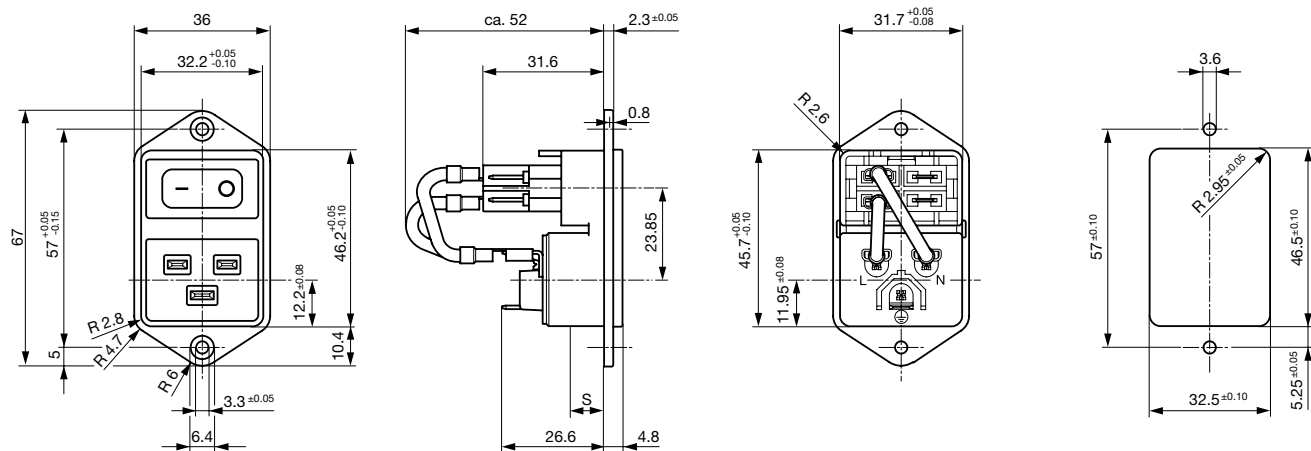
Newly available variants corresponding to V-Lock mating cordset. The connector is equipped with a notch intended for use with the latching cordset. The cord latching system prevents against accidental removal of the cordset.

Technical Data

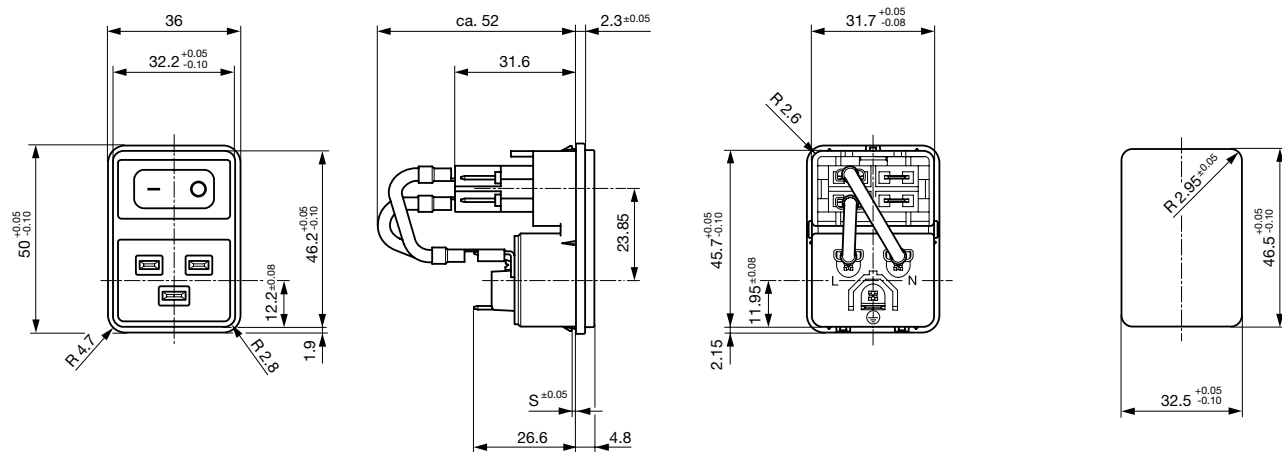
Ratings IEC	16A / 250VAC; 50Hz	Appliance Inlet	C20 acc. to IEC 60320, UL 498, CSA C22.2 no. 42 (for cold conditions) pin-temperature 70 °C, 16A, Protection Class I
Ratings UL/CSA	20A / 250VAC; 60Hz	Line Switch	Rocker switch 2-pole, non-illuminated or illuminated, acc. to IEC 61058-1 Technical Details
Dielectric Strength	> 2.5kVAC between L-N > 3kVAC between L/N-PE (1 min/50Hz)		
Allowable Operation Temp.	-25 °C to 70 °C		
Degree of Protection	from front side IP 40 acc. to IEC 60529		
Protection Class	Suitable for appliances with protection class I acc. to IEC 61140		
Terminal	Quick connect terminals 6.3 x 0.8 mm		
Panel Thickness s	Screw: max 8 mm Mounting screw torque max 0.5Nm Snap-in: 1.5/2/2.5 mm		
Material: Housing	Thermoplastic, black, UL 94V-0		

Dimensions

Screw-on mounting

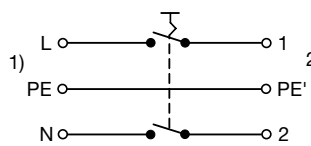


Snap-in mounting



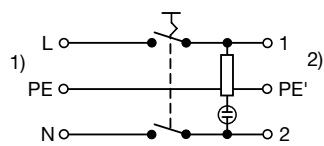
Diagrams

Line switch non-illuminated



1) Line
2) Load

Line switch illuminated



1) Line
2) Load

All Variants

Panel mounting	Panel Thickness s [mm]	Illumination	Color	Internally wired	Order Number
Snap-in	1.5		-	●	EC11.0001.201
Snap-in	1.5		-		EC11.0001.202
Snap-in	1.5	●	red	●	EC11.0021.201
Snap-in	1.5	●	red		EC11.0021.202
Snap-in	1.5	●	green	●	EC11.0031.201
Snap-in	1.5	●	green		EC11.0031.202
Snap-in	2		-	●	EC11.0001.301
Snap-in	2		-	●	EC11.0001.301.21
Snap-in	2		-		EC11.0001.302
Snap-in	2	●	red	●	EC11.0021.301
Snap-in	2	●	red		EC11.0021.302
Snap-in	2	●	green	●	EC11.0031.301
Snap-in	2	●	green		EC11.0031.302
Snap-in	2.5		-	●	EC11.0001.401
Snap-in	2.5		-		EC11.0001.402
Snap-in	2.5	●	red	●	EC11.0021.401
Snap-in	2.5	●	red		EC11.0021.402
Snap-in	2.5	●	green	●	EC11.0031.401
Snap-in	2.5	●	green		EC11.0031.402
Screw	-		-	●	EC11.0001.001.21
Screw	-		-		EC11.0001.002
Screw	-	●	red	●	EC11.0021.001
Screw	-	●	red		EC11.0021.002
Screw	-	●	green	●	EC11.0031.001
Screw	-	●	green		EC11.0031.002

Most Popular.

Availability for all products can be searched real-time: <http://www.schurter.com/en/Stock-Check/Stock-Check-SCHURTER>

Suffix "21" corresponds to the version with V-Lock mating cordset. The connector is equipped with a notch intended for use with the latching cordset. The cord latching system prevents against accidental removal of the cordset.

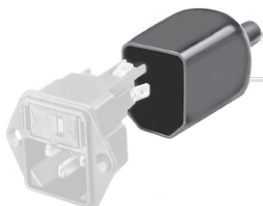
Packaging unit 25 Pcs

Accessories

Description



Wire Harness
Wire harness for SCHURTER products



Assorted Covers
Rear Cover



[Cord retaining kits](#)
Cord retaining strain relief

Mating Outlets/Connectors

Category / Description

[Connector Overview complete](#)



IEC Connector C19, Rewireable, Straight	4795
IEC Connector C19, Rewireable, Angled	4790
IEC Connector C19, Rewireable, Straight	0104U

[Connector further types to EC11](#)

[Power Supply Cord Overview complete](#)



US Power Supply Cord with IEC Connector C13, hospital grade	4300.0920
EU Power Supply Cord with IEC Connector C19, straight/ angled	6004.0395
US Power Supply Cord with IEC Connector C19, straight	6009.5195

[Power Supply Cord further types to EC11](#)

[Power Supply or Interconnection Cord Overview complete](#)

Diverse Power Supply and Interconnection Cords 16 A	6003.0395
---	-----------

[Power Supply or Interconnection Cord further types to EC11](#)

Mating Outlets/Connectors shuttered



[Power Cord Overview complete](#)

Overview Power Cord with IEC Appliance Connector C19, V-Lock, straight	VAC19KS
--	---------

[Power Cord further types to EC11](#)