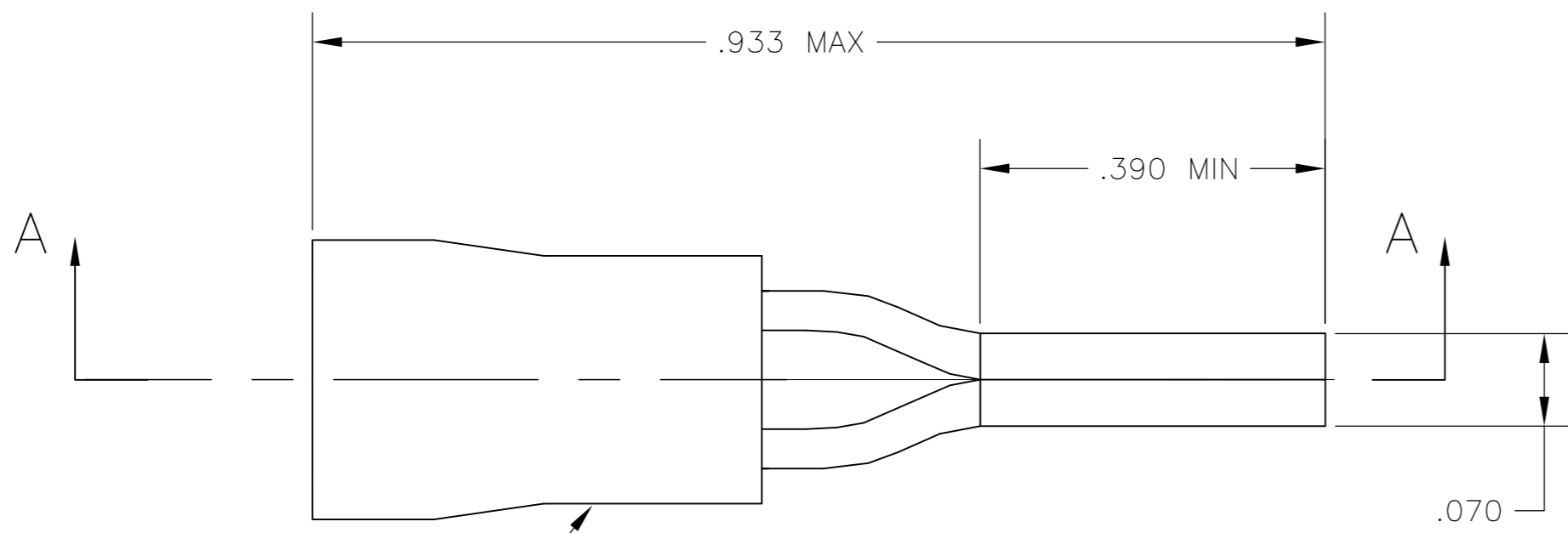


THIS DRAWING IS UNPUBLISHED. RELEASED FOR PUBLICATION
 © COPYRIGHT BY TYCO ELECTRONICS CORPORATION. ALL RIGHTS RESERVED.

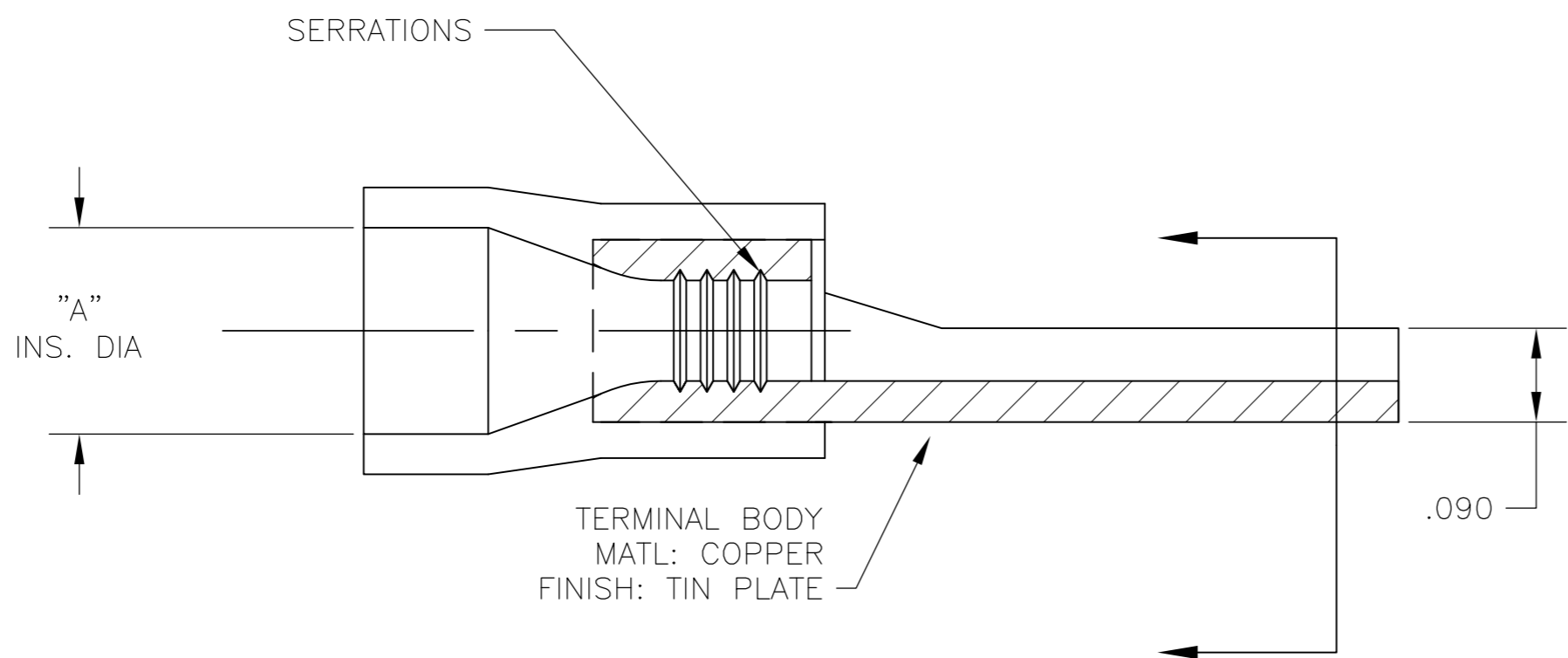
LOC	DIST	REVISIONS			
P	LTR	DESCRIPTION	DATE	DWN	APVD
G	14	REV PER ECR 07-023647	12OCT07	jr	TM



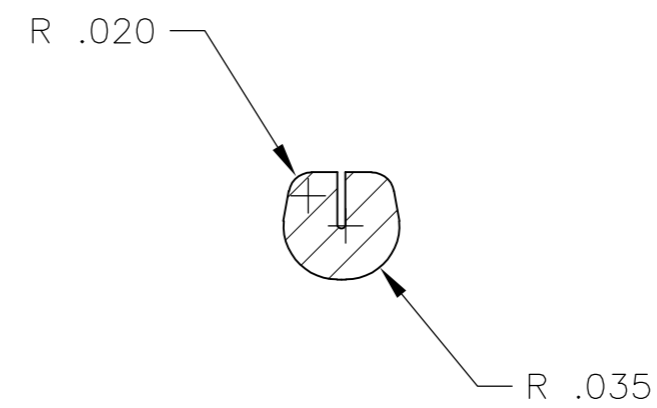
INSULATION SLEEVE
 MATERIAL: PVC
 COLOR: BLUE

- 1 WIRE SIZE IS #16-#14 AWG
- 2 SUPERSEDED BY 165171
- 3 OBSOLETE - NO REPLACEMENT

.115-.170	---	165171-1	2
.115-.190	2-165171-0	165171	3
INSUL DIA RANGE, "A"	P/N ON TAPE	PART NO.	



SECTION A-A



165171
 PART NO

THIS DRAWING IS A CONTROLLED DOCUMENT.		DWN jr ruth 31MAY07	Tyco Electronics Corporation Harrisburg, PA 17105-3608	
DIMENSIONS: INCHES		CHK T MICHIELUTTI 31MAY07	NAME TERMINAL, WIRE PIN, PLASTI-GRIP,	
TOLERANCES UNLESS OTHERWISE SPECIFIED:		APVD T MICHIELUTTI 31MAY07	PRODUCT SPEC	
0 PLC ± -		APPLICATION SPEC		
1 PLC ± -		SIZE A2		
2 PLC ± -		CAGE CODE 00779		
3 PLC ± .010		DRAWING NO 165171		
4 PLC ± -		RESTRICTED TO		
ANGLES ± 1°		SCALE 8:1		
MATERIAL		SHEET 1 of 1		
FINISH		REV G		
CUSTOMER DRAWING				