

APPLICABLE STANDARD				
RATING	OPERATING TEMPERATURE RANGE	-40°C TO +90°C(90%RH MAX)	STORAGE TEMPERATURE RANGE	-40°C TO +90°C(90%RH MAX)
	POWER	———W	CHARACTERISTIC IMPEDANCE	50Ω (0 TO 6GHz)
	PECULIARITY	———	APPLICABLE CABLE	RF-MF5010 (WHITE) :NISSEI ELECTRIC CO.,LTD.

SPECIFICATIONS

ITEM	TEST METHOD	REQUIREMENTS	QT	AT
CONSTRUCTION				
GENERAL EXAMINATION	VISUALLY AND BY MEASURING INSTRUMENT.	ACCORDING TO DRAWING.	x	x
MARKING	CONFIRMED VISUALLY.		x	x

ELECTRIC CHARACTERISTICS					
CONTACT RESISTANCE	10 mA MAX (DC OR 1000 Hz).	CENTER CONTACT	185 mΩ MAX.	x	x
		OUTER CONTACT	51 mΩ MAX.	x	x
INSULATION RESISTANCE	100 V DC.	500 MΩ MIN.	x	x	
VOLTAGE PROOF	200 V AC FOR 1 min.CURRENT LEAKAGE 2mA MAX.	NO FLASHOVER OR BREAKDOWN.	x	x	
VOLTAGE STANDING WAVE RATIO	FREQUENCY 0.045 TO 3 GHz.	VSWR 1.3 MAX.	x	—	
	FREQUENCY 3 TO 6 GHz.	VSWR 1.35 MAX.			
INSERTION LOSS	FREQUENCY ----- TO ---- GHz	——— Db MAX.	—	—	

MECHANICAL CHARACTERISTICS				
CABLE CLAMP ROBUSTNESS (AGAINST CABLE PULL)	APPLYING A PULL FORCE THE CABLE AXIALLY AT 7 N MAX.	① NO WITHDRAWAL AND BREAKAGE OF CABLE. ② NO BREAKAGE OF CLAMP.	x	—

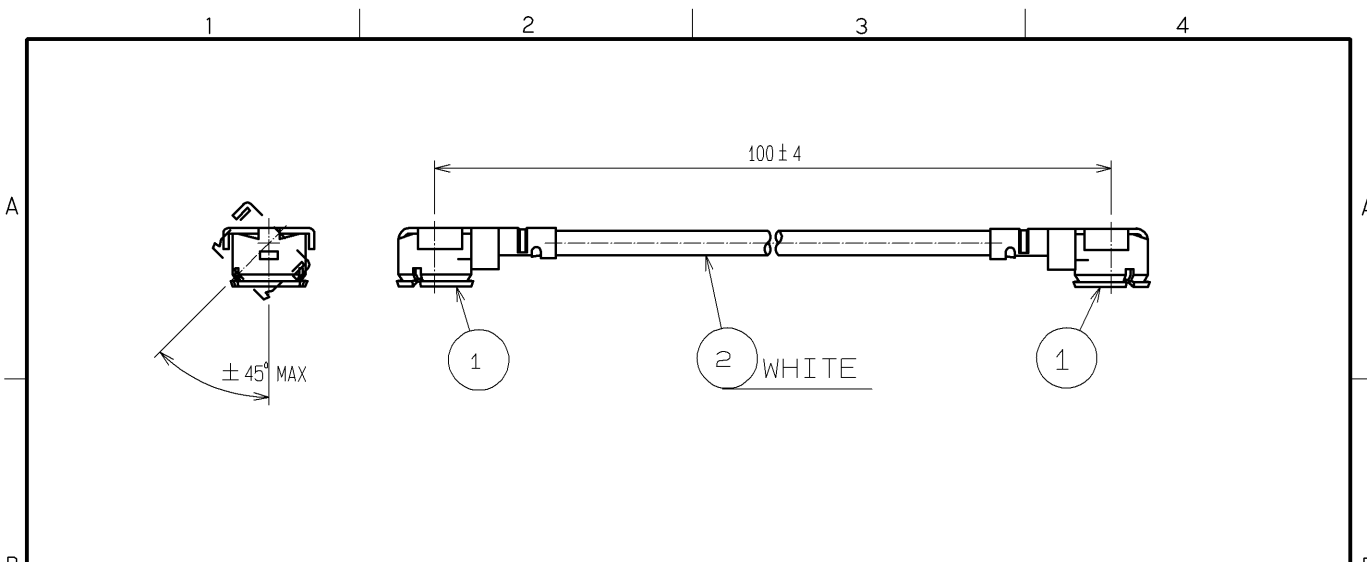
COUNT	DESCRIPTION OF REVISIONS	DESIGNED	CHECKED	DATE
Δ				

REMARK	APPROVED	MH. YAMANE	08.05.09
	CHECKED	NK. NINOMIYA	08.05.09
	DESIGNED	YK. YASUMURO	08.05.07
	DRAWN	YI. FUNADA	08.05.07

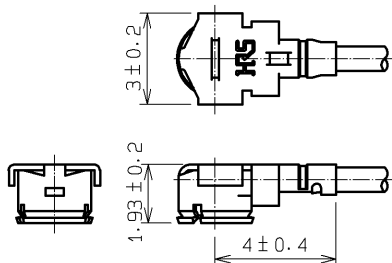
Unless otherwise specified, refer to JIS C 5402.

Note QT:Qualification Test AT:Assurance Test X:Applicable Test DRAWING NO. ELC4-305650-07

HRS	SPECIFICATION SHEET	PART NO.	U. FL-2LP-04N1-A-(100)	
	HIROSE ELECTRIC CO., LTD.	CODE NO.	CL321-3372-7-07	Δ 1/1



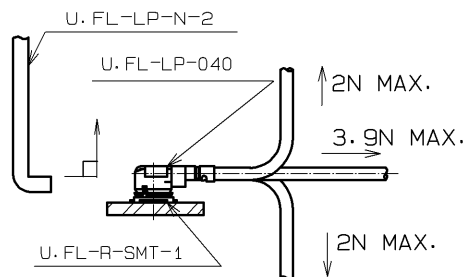
[DIMENSIONS OF CONNECTOR]



[PRECAUTIONS FOR HANDLING]

- ◆Connector insertion and extraction
 - a. Connector shall be extracted vertically by specialised extraction JIG.
Part No.: U.FL-LP-N-2 (CL Code: CL331-0494-5)
Never hold the cable when extracting the cable because it damages the connector.
 - b. Insert the connector as perpendicularly to the mating surface as possible by aligning the mating axes of both connectors. Do not excessively slant the connectors when inserting.

- ◆Allowable loads on the cable after the connectors are mated.
The figures below show the maximum allowable loads on the cable. Do not apply loads exceeding these values to the cable.



RoHS COMPLIANT

1	U.FL-LP-040	CL331-0451-2	2	RF-MF5010 (WHITE)	NISSEI ELECTRIC CO., LTD.
NO.	PART NO.	CODE NO.	NO.	PART NO.	MANUFACTURER

UNITS mm		SCALE FREE	COUNT 	DESCRIPTION OF REVISIONS	DESIGNED	CHECKED	DATE
-------------	--	---------------	-----------	--------------------------	----------	---------	------

HIROSE ELECTRIC CO., LTD.	APPROVED : MH. YAMANE	08.05.09	DRAWING NO.	EDC4-305650-07
	CHECKED : NK. NINOMIYA	08.05.09	PART NO.	U.FL-2LP-04N1-A-(100)
	DESIGNED : YK. YASUMURO	08.05.07	CODE NO.	CL321-3372-7-07
	DRAWN : YI. FUNADA	08.05.07		