

INDICATOR LIGHT, 22MM, ROUND, PLASTIC,
YELLOW, SMOOTH LENS



Figure similar

| | | |
|-----------------------|--|----------------------------------|
| product brand name | | SIRIUS ACT |
| Product designation | | Commanding and signaling devices |
| Design of the product | | Pilot Light |

Actuator:

| | | |
|--|----|---------|
| Color | | |
| • of the actuating element | | Yellow |
| Material of the actuating element | | plastic |
| Shape of the actuating element | | round |
| Outer diameter of the actuating element | mm | 29.45 |

Front ring:

| | | |
|-------------------------------------|--|----|
| Product component front ring | | No |
|-------------------------------------|--|----|

General technical data:

| | | |
|-----------------------------|--|-------------------|
| Vibration resistance | | |
| • acc. to IEC 60068-2-6 | | 10 ... 500 Hz: 5g |
| Equipment marking | | |
| • acc. to DIN EN 61346-2 | | P |
| • acc. to DIN EN 81346-2 | | P |

Ambient conditions:

| | | |
|----------------------------|----|-------------|
| Ambient temperature | | |
| • during operation | °C | -25 ... +70 |
| • during storage | °C | -40 ... +80 |

Installation/ mounting/ dimensions:

| | | |
|---------------|----|-------|
| Height | mm | 29.45 |
|---------------|----|-------|

| | | |
|-----------------------------------|----|-------|
| Width | mm | 29.45 |
| Shape of the installation opening | | round |
| Mounting diameter | mm | 22 |

Certificates/ approvals:

Further information

Information- and Downloadcenter (Catalogs, Brochures,...)

<http://www.siemens.com/industrial-controls/catalogs>

Industry Mall (Online ordering system)

<http://www.siemens.com/industrymall>

Cax online generator

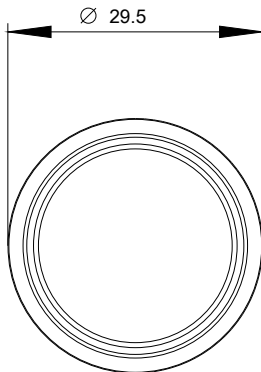
<http://support.automation.siemens.com/WW/CAXorder/default.aspx?lang=en&mlfb=3SU10016AA300AA0>

Service&Support (Manuals, Certificates, Characteristics, FAQs,...)

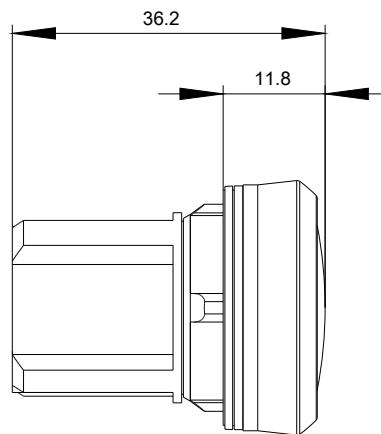
<http://support.automation.siemens.com/WW/view/en/3SU10016AA300AA0/all>

Image database (product images, 2D dimension drawings, 3D models, device circuit diagrams, EPLAN macros, ...)

http://www.automation.siemens.com/bilddb/cax_de.aspx?mlfb=3SU10016AA300AA0&lang=en



last modified:



09.03.2015