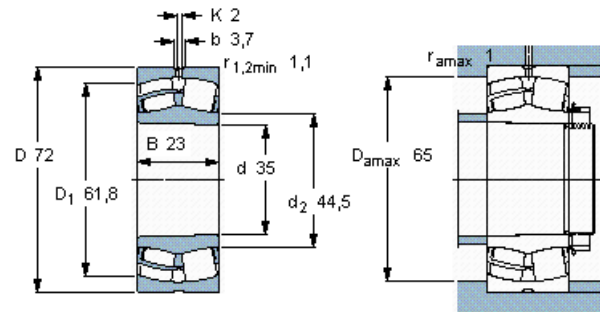


Spherical roller bearings, cylindrical and tapered bore



Principal dimensions			Basic load ratings		Fatigue load limit P_u	Speed ratings		Mass	Designation
d	D	B	dynamic	static		Reference speed	Limiting speed		
mm			kN		kN	r/min		kg	-
35	72	23	86,5	85	9,3	9000	12000	0,44	22207 EK *



Tapered bore, taper
1: 12

Calculation factors

- e 0,31
- Y_1 2,2
- Y_2 3,3
- Y_0 2,2