



General characteristics

General characteristics

Functions	Safety barrier with fail safe OSSD outputs; RFID; Emergency stop button; Gate monitoring applications; Two-hand devices control; Type 2 safety photocells
-----------	---

Contact characteristics

Type of contact	2NO+1PNP
-----------------	----------

Operations

Mechanical life	cycles	>10 ⁷
-----------------	--------	------------------

Auxiliary supply

Nominal auxiliary voltage supply		24VDC
Operating range	V	19...29VDC
Overvoltage category		III
Insulation voltage	kV	4

Protections	Signaling output protected from overload
-------------	--

Input characteristics

Number of inputs	Nr.	2
Input current	mA	Typical 4.3
Input voltage		0-30VDC

Output characteristics

Number of safe outputs NO	Nr.	2
Number of safe outputs NC	Nr.	0
Number of feedback outputs	Nr.	1PNP

Output type	Relays with forcibly guided contacts
-------------	--------------------------------------

Output contacts ratings	AC1 250V: 6A-2000VA AC15 230V: 5A DC13 24V: 2A
-------------------------	--

UL 508 ratings	Pilot duty: B300-Q300
----------------	-----------------------

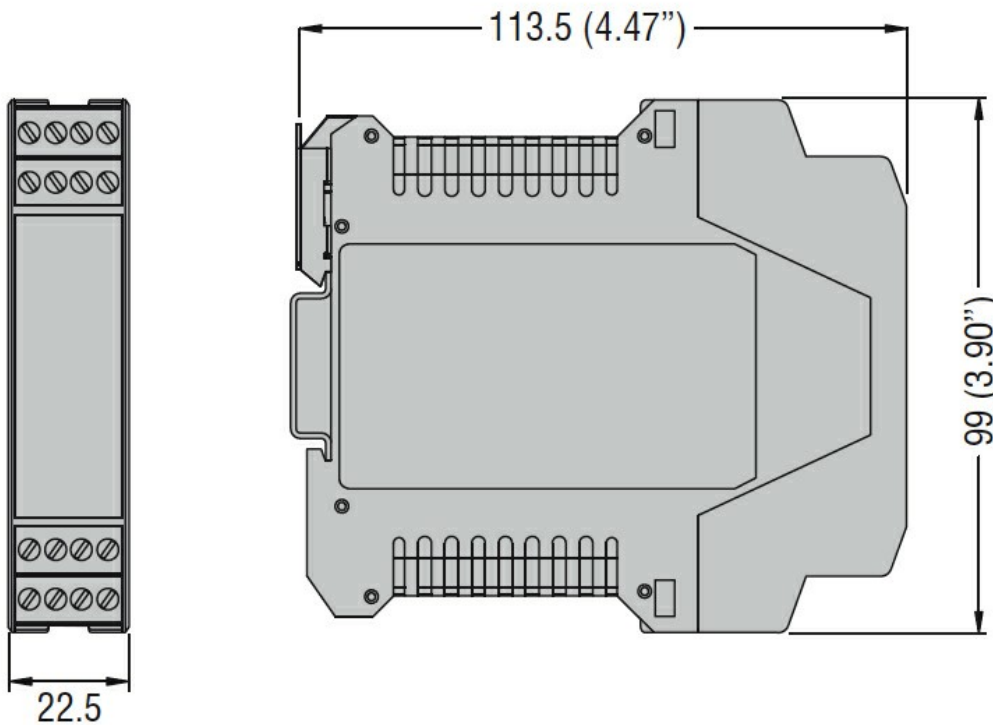
Mechanical life	cycles	>10 ⁷
Electrical life AC1 at 360 commutations/h	cycles	10 ⁵

Safety parameters

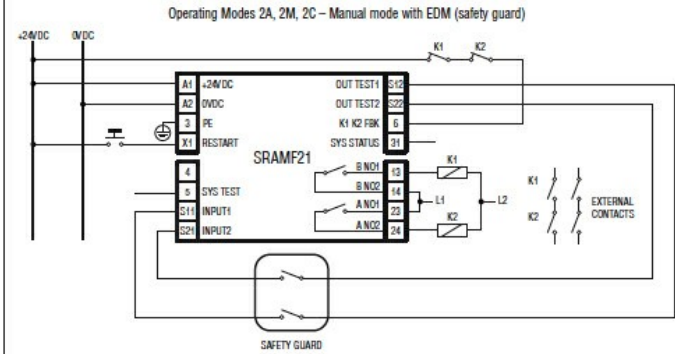
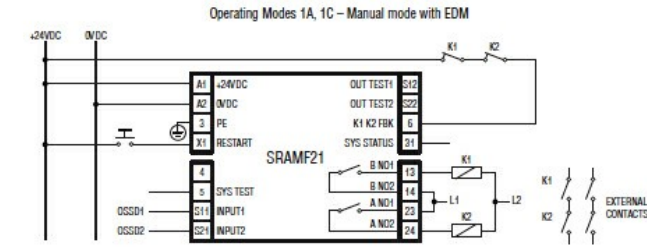
ISO 13849-1 security category	Cat. 4
-------------------------------	--------

ISO 13849-1 performance level	PLe	
Mechanical features		
Fixing	35mm DIN rail	
Weight	g	150
Ambient conditions		
Protection degree	IP40 on front IP20 on terminals	
Pollution degree	2	
Temperature		
Operating temperature	min	°C -25
	max	°C +55
Storage temperature	min	°C -30
	max	°C +70
Relative humidity	%	≤95

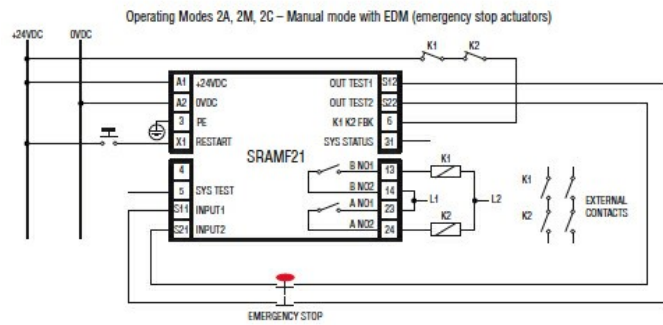
Dimensions



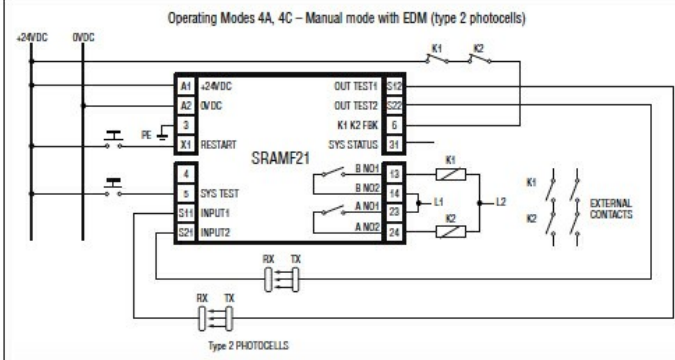
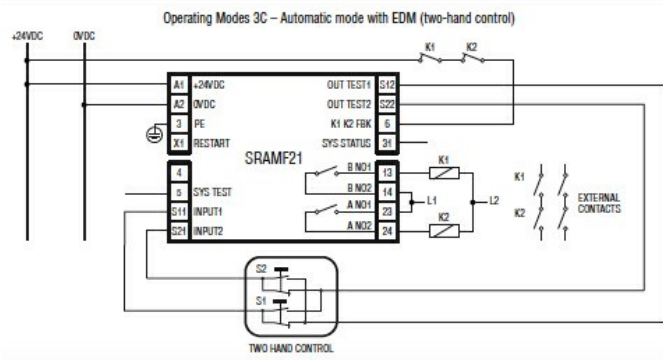
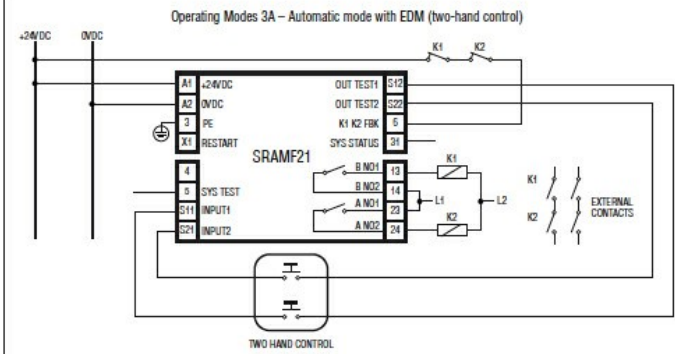
Wiring diagrams



(Mode 2M) When pin X1 is permanently connected to 24VDC the module works in Automatic Restart mode



(Mode 2M) When pin X1 is permanently connected to 24VDC the module works in Automatic Restart mode



Certifications and compliance

Compliance

EN/BS 62061
EN/ISO/BS 13849-1

Certificates

cULus
TÜV

ETIM classification

ETIM 8.0

EC001449 -
Device for
monitoring of
safety-related
circuits