

Datasheet

ENGLISH

RS PRO Programmable Call Point, Resettable with Sounder and Alarmed Cover

Stock No: 192-4551



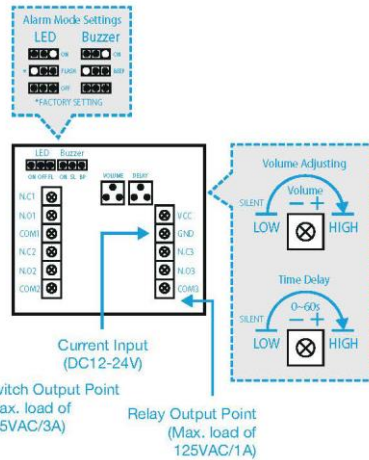
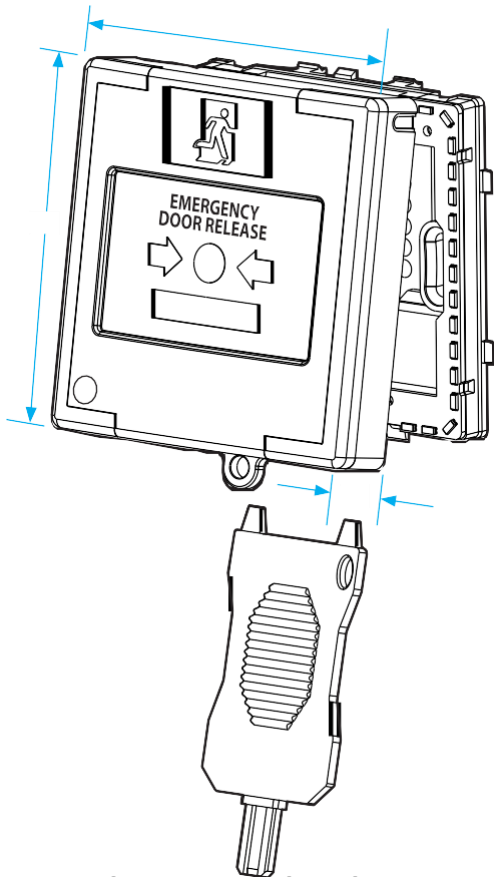
Technical Specifications:

85mm x 85mm x 55mm	12~24VDC
Surface Mount	LED Indictaor
Adjustable Sounder	Triple Pole
Resettable	Alarmed Cover Sounder

Features & Benefits:

- Operating voltage 12~24Vdc
- Green plastic
- Resettable
- Adjustable sounder
- Adjustable LED
- Triple pole
- Alarmed Cover Sounder

Dimensional line drawings



*Volume switch with maximum value, do not turn in 360.

Quality Standards:

CE

ROHS

