

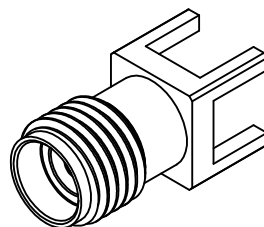
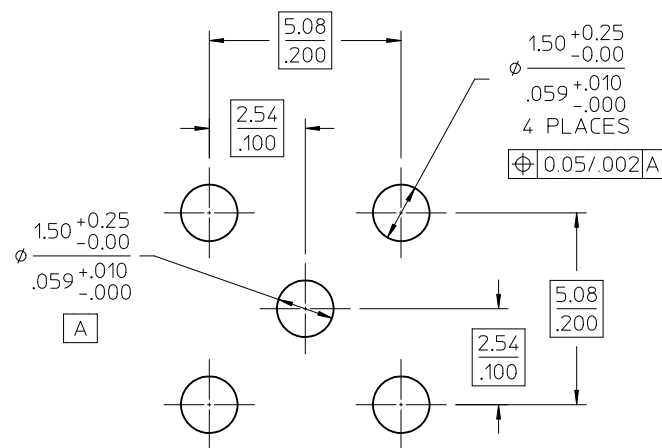
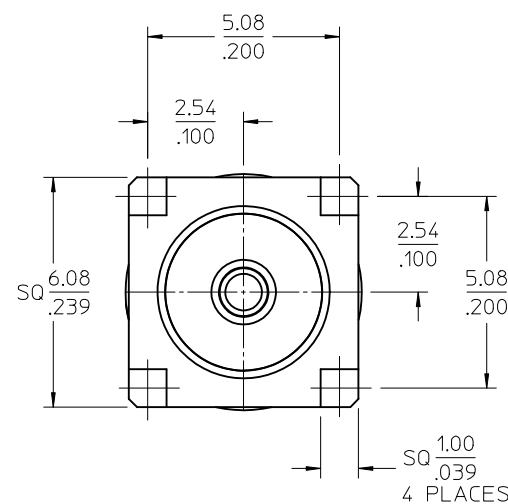
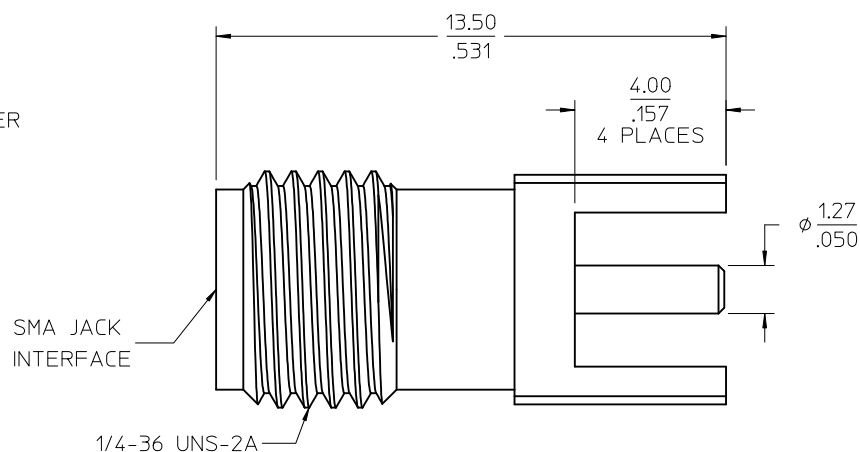
MATERIALS AND FINISHES

BODY BRASS  
PLATED GOLD

CENTER CONTACT BERYLLIUM COPPER  
PLATED GOLD

INSULATOR TEFLON

WILL WITHSTAND REFLOW  
TEMPERATURE OF  
265°C ± 5°C



RECOMMENDED MOUNTING HOLE

73251-3141	73391-0060 BY TRAY 20 CAVITIES
73251-3140	73391-0060 SINGLE BAG
73391-0060	BY TRAY 80 CAVITIES
PART NO.	DESCRIPTION

PS-89675-3460	ELEC/MECH PERFORMANCE
SPECIFICATION	DESCRIPTION

CHG: UPDATED VIEW AND PACKAGING PER RF12-E069	EC NO: URF2012-0609	DRAWN BY: DRWINRYEH	CHKD: JAPPR:HUANG	APPR:HUANG	2012/04/17	2012/05/11	DESCRIPTION	QUALITY SYMBOLS	GENERAL TOLERANCES (UNLESS SPECIFIED)		DIMENSION STYLE	SCALE	DESIGN UNITS	THIRD ANGLE PROJECTION
									mm	INCH	MM/IN	12:1	METRIC	☉
									4 PLACES ±	±	DRAWN BY	DATE	TITLE	
									3 PLACES ±	±	IRIS WANG	1997/5/30	SMA JACK STR	
									2 PLACES ±	±	CHECKED BY	DATE	PCB TH	
									1 PLACE ±	±	BEN LEE	1999/2/22	SMA-J/PCB	
									0 PLACE ±	±	APPROVED BY	DATE	<b>molex</b>	
											MISEN	1999/2/22	DOCUMENT NO.	
											SEE TABLE		SD-73391-0060	
											DRAFT WHERE APPLICABLE MUST REMAIN WITHIN DIMENSIONS		SHEET NO.	
											THIS DRAWING CONTAINS INFORMATION THAT IS PROPRIETARY TO MOLEX INCORPORATED AND SHOULD NOT BE USED WITHOUT WRITTEN PERMISSION		1 OF 1	