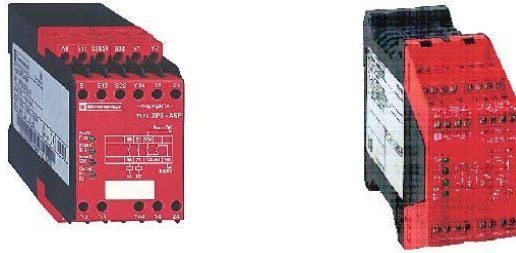




XPS-ASF Replaced by XPS-AK



Differentiation

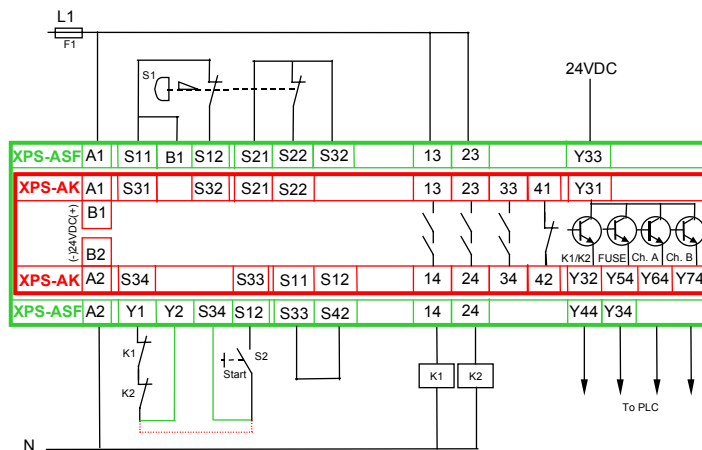
- XPS-AK has one extra N/O safety output
- XPS-AK has one extra additional N/C output
- XPS-AK has 2 extra solid state output for PLC signalling
- XPS-AK has choice of removable plug terminals
- XPS-ASF can be used for Type III A two-hand control monitoring



XPS-ASF Replaced by XPS-AK

Schematic Comparison

Monitoring of E-stop with 2N/C contacts

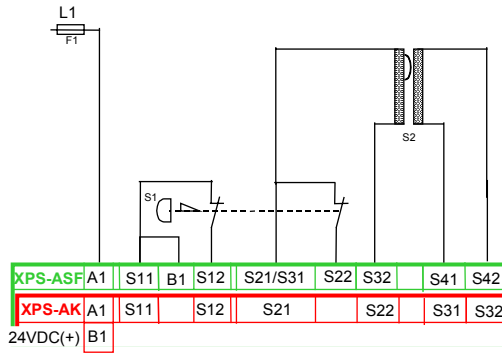




XPS-ASF Replaced by XPS-AK

Schematic Comparison

Monitoring of safety mat with E-stop button



Cross Reference Table

Supply Voltage	Obsolete Reference	Existing Reference *
24VAC/DC	XPS-ASF5142	XPS-AK311144
48VAC/DC	XPS-ASF5342	-
120VAC	XPS-ASF3442	XPS-AK351144
230VAC	XPS-ASF3742	XPS-AK371144
*add P to reference for removable plug terminals		