

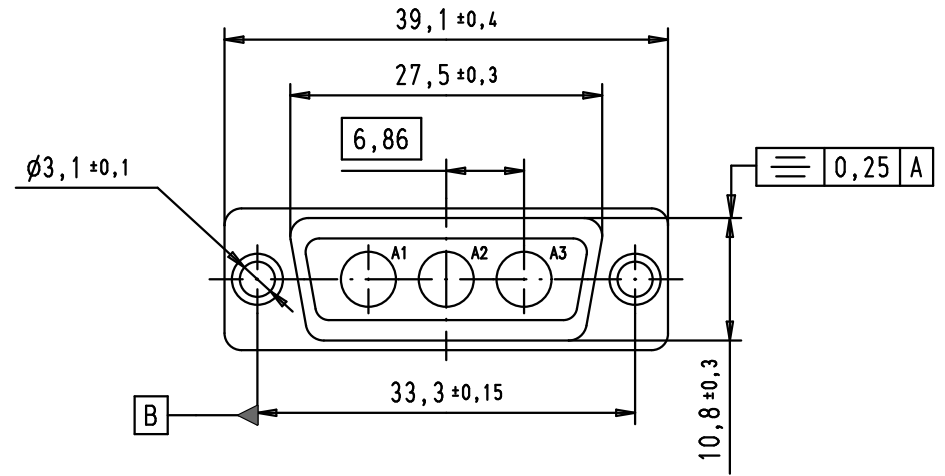
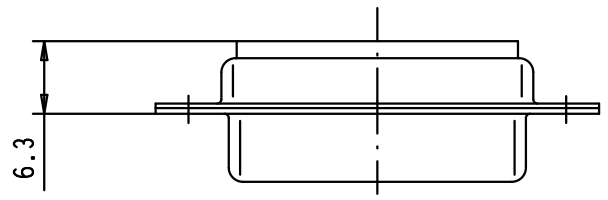
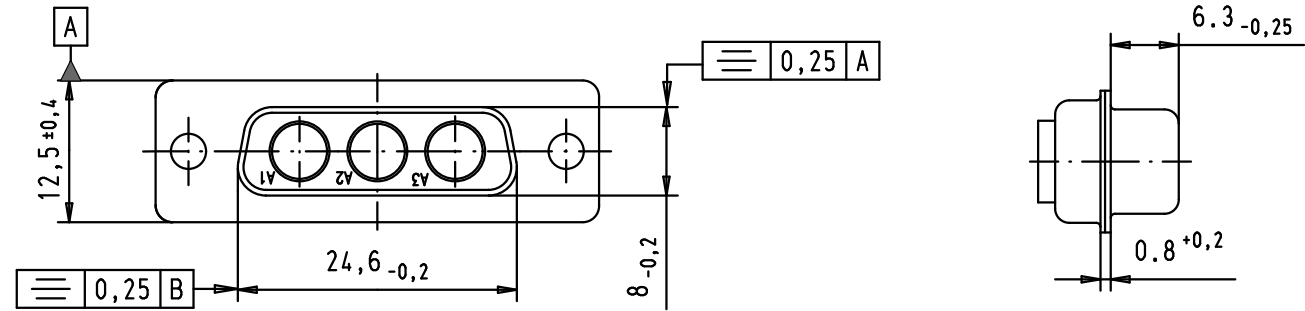
5

4

3

2

1

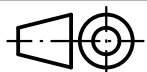



D

C

B

A

| | | | | | | | | | | | |
|---|--------------------|--------------|---------|----------|-----|-------------------------------|----------|------|---|---|----------------------------|
| A | 09 69 200 0033.500 | Non magnetic | | | | Detail. | 13/11/01 | AF |  All Dim. in mm Orig. Size DIN A 4 | D-Sub, female, 3W3 without contacts, with tin plated shell. | Maßstab/ Scale 1,5:1 |
| | 09 69 200 0033 | | EC01706 | 21/04/10 | SC | Insp. | | | | | |
| | Part number | | 32119 | 23/06/03 | AC | Stand. | | | | | |
| | | | 31519 | 03/07/03 | TCP | HARTING EURL F-95972 Paris | | |  | TB 09 69 200 0033 | Blatt/ Page 1 / 1 |
| | | | 29738 | 13/11/01 | AF | | | | | | |
| | | Mod. | Dot. | Name | | | | Sub. | | | |