

# KAPPA

9688FTP100P63

EAN 4031582316094

Fixed castor, Fork and plate steel welded, bright zinc plated, blue passivated, wheel axle with nut, plate fitting.  
Wheel centre made of cast iron, Tread: Polyurethane, casted, precision ball bearing



BETTER MOBILITY. BETTER LIFE.

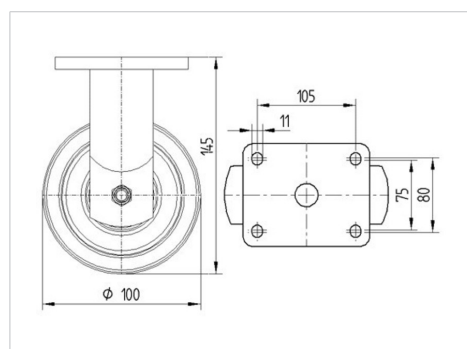


Picture may differ from original product

## Technical Data

Wheel diameter	100 mm
Width of Tread	50 mm
Size of Plate	135 x 110 mm
Plate hole centres	105 x 80/75 mm
Plate hole	11 mm
Overall height	145 mm
Temperature	- 20 / + 60 °C
Standard	EN 12533
Weight	3.946 kg
Hardness of tread	Shore A 92
Load capacity	450 kg
Load capacity (static)	900 kg

## Dimensions



## Advantages at a glance

Roll performance	● ● ● ● ○
Movement noise	● ● ● ○ ○
Attrition	● ● ● ● ○
Corrosion resistance	● ● ● ○ ○

# KAPPA

9688FTP100P63

EAN 4031582316094



BETTER MOBILITY. BETTER LIFE.

## Structure & Mounting

