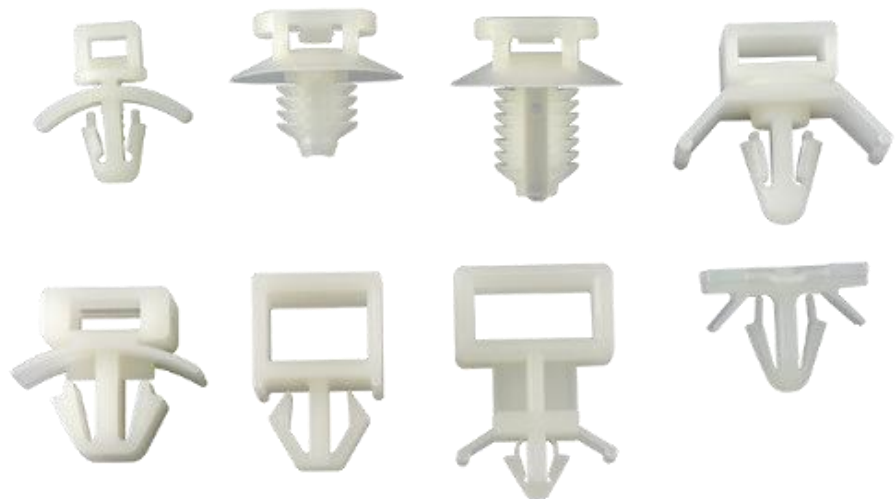




Datasheet

RS PRO PUSH TIE MOUNT

Stock No. 865-9697 865-9691 865-9675 865-9679
865-9688 865-9681 865-9685 865-9694

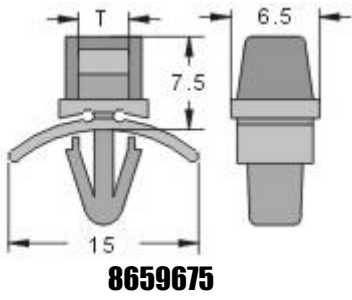


EN

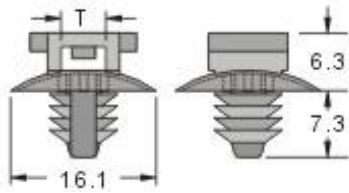


SPECIFICATION

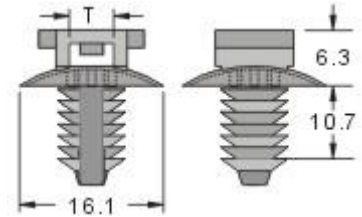
- Material: UL approved Nylon 66, 94V-2
- Color: Natural
- Drill hole on board to fix tie mount and then insert tie into the mount for bundling cables.



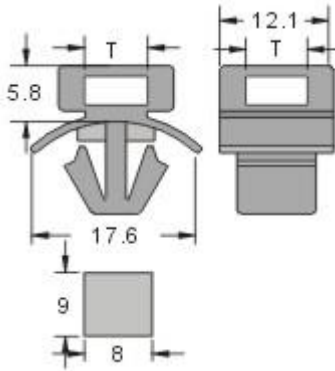
8659675



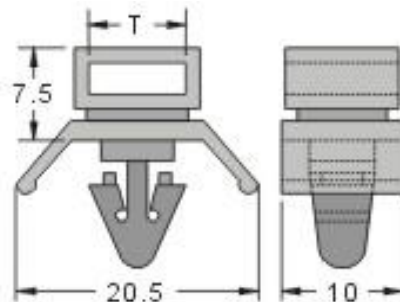
8659679



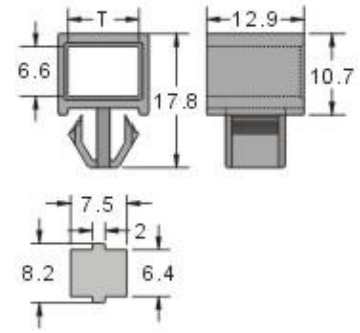
8659688



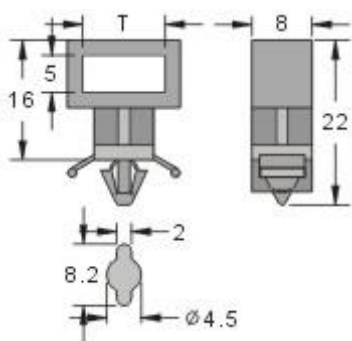
8659681



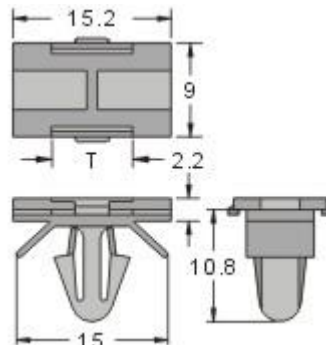
8659685



8659694



8659697



8659691



RS Number	Color	T	Mounting Hole	Packing
8659675		3.8	4.8	
8659679		5	7	
8659688		5	7	
8659681		6.5	As Figure	
8659685		8.1	6.2	
8659694		9.4	As Figure	
8659697		11	As Figure	
8659691		Natural	7.8	