



PRODUCT DATASHEET

Mirella series

last update 19/9/2014

DETAILS

| | |
|------------------------|--------------------|
| Product Number | C13723_MIRELLA-RZL |
| Family | Mirella |
| Type | Sublens |
| Color | clear |
| Diameter | 41 mm |
| Height | 2,45 mm |
| Style | round |
| Optic Material | PC |
| Holder Material | |
| Fastening | |
| Status | ready |
| ROHS Compliant | Yes |
| Date Updated | 19/09/2014 |



OPTICAL PROPERTIES

| LED | Viewing Angle | Light Beam | Efficiency | cd/lm | Connector |
|-----|---------------|------------|------------|------------|-----------|
| | N/A deg | | - | sim: 0.000 | - |

D

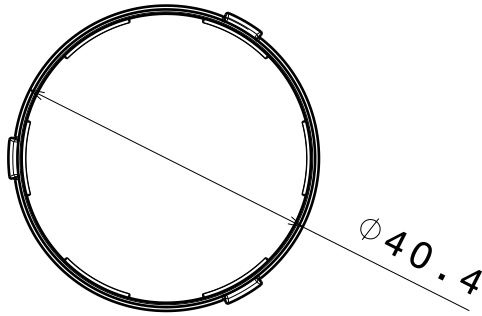
C

B

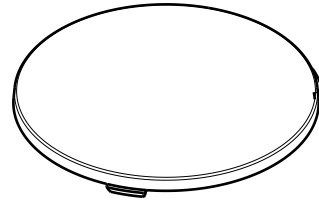
A

4

4



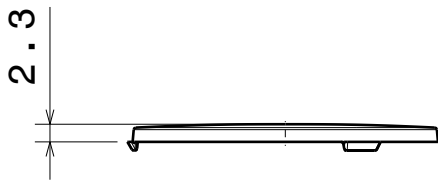
Bottom view



Isometric view

3

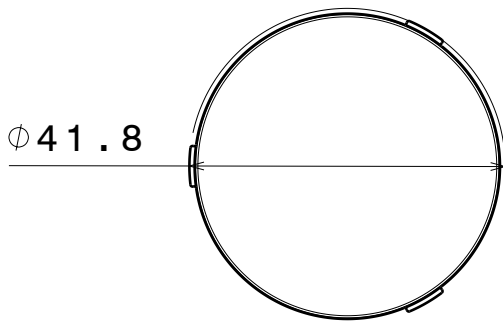
3



Front view

2

2



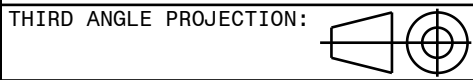
Top view

1

1

Tolerances if not otherwise shown
 According to DIN ISO 2768-1
 Linear measures:
 Up to 30mm class M, otherwise class C.
 According to DIN ISO 2768-2
 Form and position: class L

LEDiL Ledil Oy
 Salorankatu 10
 FIN 24240 SALO
 Finland



DRAWING TITLE
Datasheet MIRELLA-RZL

This drawing is the property
 of LEDiL Oy. It may not be
 reproduced, copied or
 communicated without a written
 agreement with LEDiL Oy.

| | |
|------|-------------|
| SIZE | PART NUMBER |
| A4 | - |

| | | | | | |
|-------|-----|--------|---|-------|-----|
| SCALE | 1:1 | WEIGHT | - | SHEET | 1/1 |
|-------|-----|--------|---|-------|-----|

D

A

NOTE: The typical divergence will be changed by different color, chip size and chip position tolerance. The typical total divergence is the full angle measured where the luminous intensity is half of the peak value.