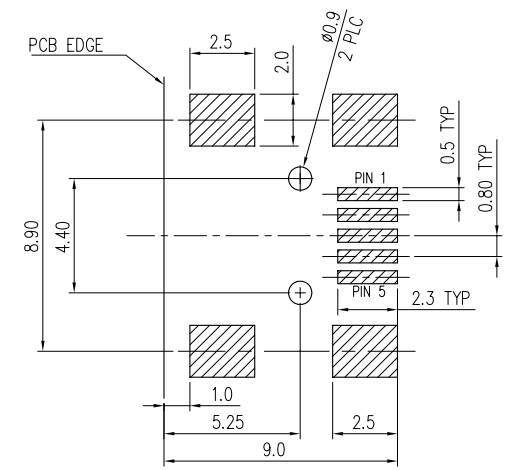
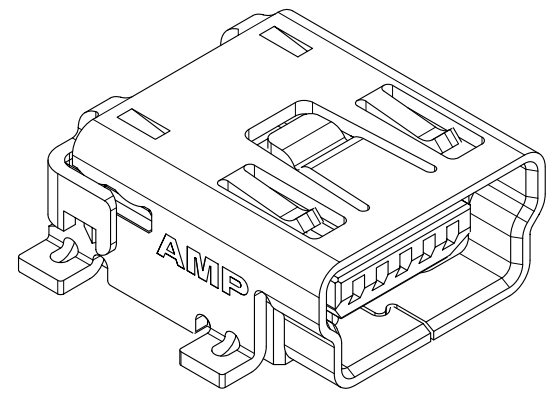
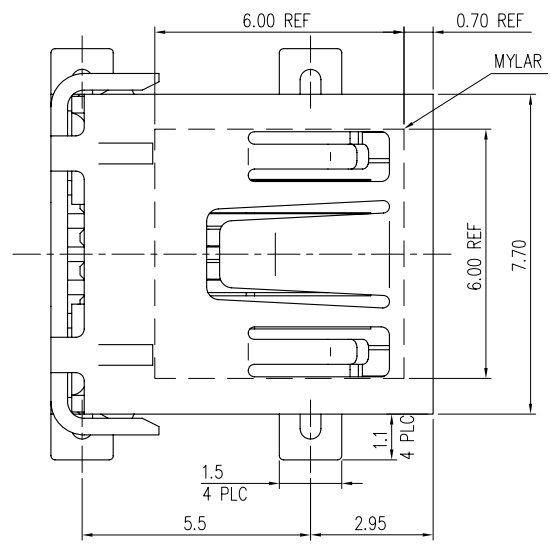
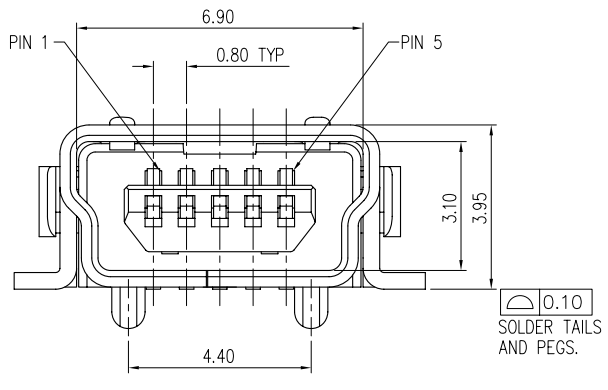
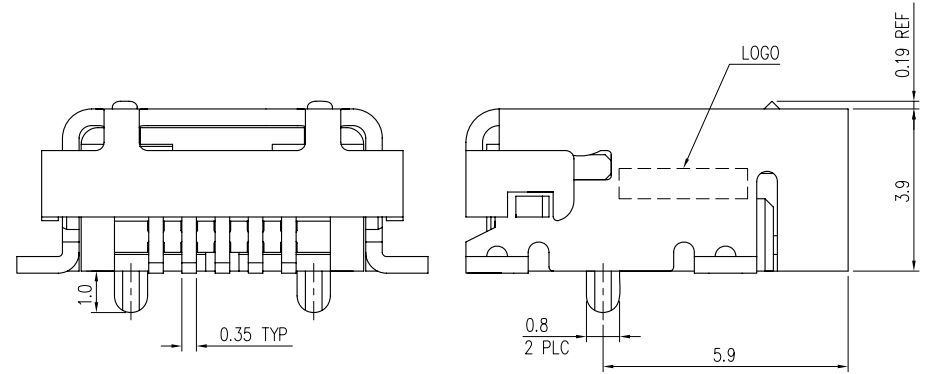


THIS DRAWING IS UNPUBLISHED. RELEASED FOR PUBLICATION
 © COPYRIGHT BY TYCO ELECTRONICS CORPORATION. ALL RIGHTS RESERVED.

LOC	DW	DIST	REVISIONS			DATE	DWN	APVD
			P	LTR	DESCRIPTION			
			B1		REVISED (ECR-10-014507), ADD P/N: 4--2	12JUL10	JL	WK



RECOMMENDED PCB LAYOUT (MOUNTING SIDE)
 THICKNESS 1.57mm (TOLERANCE: ±0.05)



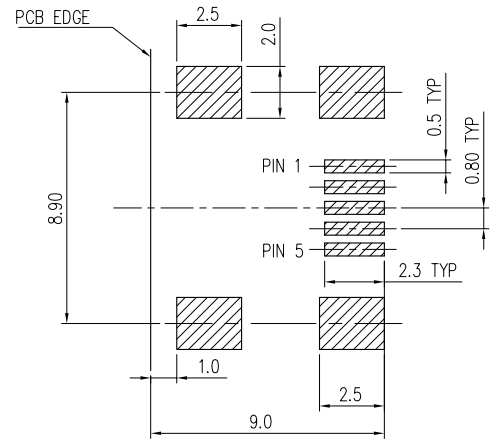
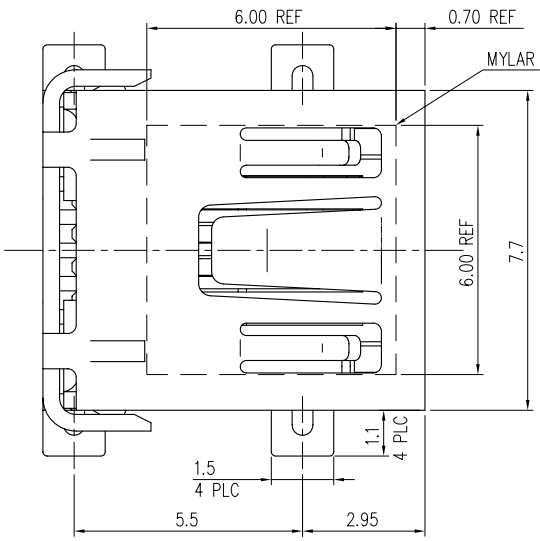
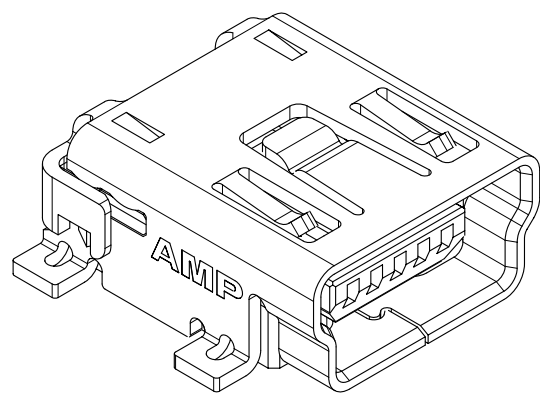
- NOTE:
- MATERIAL:
 HOUSING: PA6T WITH 30% GF, UL 94V-0, BLACK COLOR.
 CONTACTS: PHOSPHOR BRONZE.
 SHELL: PHOSPHOR BRONZE.
 MYLAR: POLYAMIDE FILM.
 - FINISH:
 CONTACTS: 0.762µm [30µ"] MIN. GOLD PLATED ON CONTACT AREA,
 △ 2.54µm [100µ"] MIN. TIN-Cu ON SOLDER TAIL,
 △ 2.54µm [100µ"] MIN. MATTE-TIN ON SOLDER TAIL,
 △ 3.05µm [120µ"] MIN. MATTE-TIN ON SOLDER TAIL,
 WITH ENTIRE CONTACT UNDERPLATED 1.27µm [50µ"] MIN. NICKEL.
 SHELL: △ & △ 2.03µm [80µ"] MIN. NICKEL PLATED OVERALL.
 △ 0.76µm [30µ"] MIN. MATTE-TIN OVER 1.27µm [50µ"] MIN. NICKEL.
 - NO DATECODE ON PRODUCT SURFACE.
 - REFLOW SOLDER CAPABLE TO 245°C PER TE TEST SPEC.
 109-201, CONDITION A.

△	W/O	W/O	TAPE REEL	W/	3-1734035-2
	W/	W/O	TAPE REEL	W/	2-1734035-4
△	W/O	W/	TAPE REEL	W/	2-1734035-3
	W/O	W/O	TAPE REEL	W/	2-1734035-2
△	W/O	N/A	TRAY	W/	2-1734035-1
	W/	W/O	TAPE REEL	W/	1734035-4
	W/O	W/	TAPE REEL	W/	1734035-3
△	W/O	W/O	TAPE REEL	W/	1734035-2
	W/O	N/A	TRAY	W/	1734035-1
PLATED	MYLAR	LONG CARRIER & COVER TAPE	PACKAGE	POST	PART NUMBER

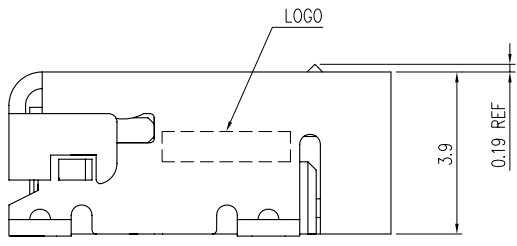
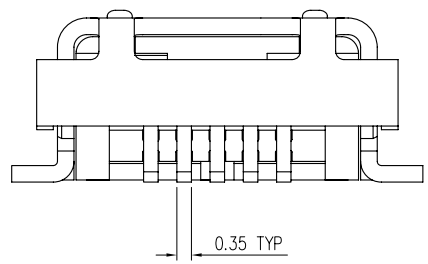
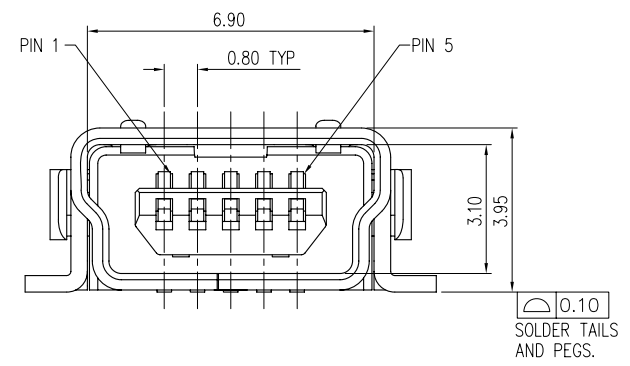
THIS DRAWING IS A CONTROLLED DOCUMENT.		DWN	O. HU	21DEC2007	Tyco Electronics Tyco Electronics Corporation Taipei, Taiwan
DIMENSIONS: MM		CHK	S. HOU	21DEC2007	
TOLERANCES UNLESS OTHERWISE SPECIFIED:		APVD	W. KODAMA	21DEC2007	NAME MINI USB, R/A, SMT, B TYPE
0 PLC ± 0.38		PRODUCT SPEC	108-57062	QUALIFICATION TEST REPORT	
1 PLC ± 0.25		WEIGHT	501-57070	SIZE	A3
2 PLC ± 0.13		CAGE CODE	00779	DRAWING NO	©=1734035
3 PLC ± 0.05		CUSTOMER DRAWING		RESTRICTED TO	
4 PLC ±		SCALE		SHEET	1 OF 4
4 PLC ANGLES ± ± 3°				REV	B1
MATERIAL	SEE NOTE				
FINISH	SEE NOTE				

THIS DRAWING IS UNPUBLISHED. RELEASED FOR PUBLICATION
 © COPYRIGHT - BY TYCO ELECTRONICS CORPORATION. ALL RIGHTS RESERVED.

LOC	DIST	REVISIONS					
DW	-	P	LTR	DESCRIPTION	DATE	DWN	APVD
				SEE SHEET 1.			



RECOMMENDED PCB LAYOUT (MOUNTING SIDE)
 THICKNESS 1.57mm (TOLERANCE: ±0.05)



NOTE:

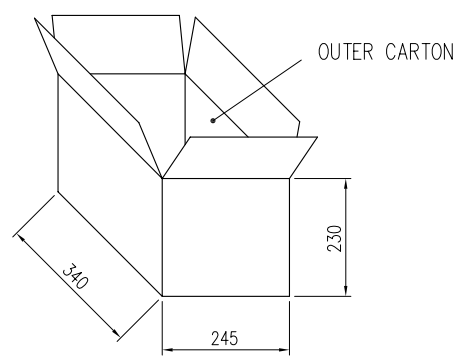
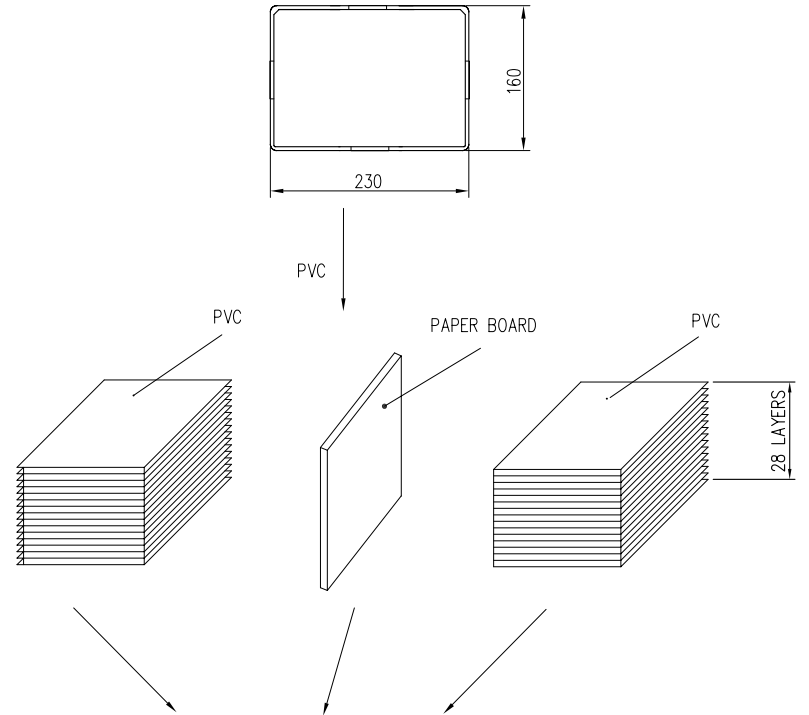
- MATERIAL:
 HOUSING: PA6T WITH 30% GF, UL 94V-0, BLACK COLOR.
 CONTACTS: PHOSPHOR BRONZE.
 SHELL: PHOSPHOR BRONZE.
 MYLAR: POLYAMIDE FILM.
- FINISH:
 CONTACTS: 0.762µm [30µ"] MIN. GOLD PLATED ON CONTACT AREA,
 2.54µm [100µ"] MIN. TIN-Cu ON SOLDER TAIL, WITH
 ENTIRE CONTACT UNDERPLATED 1.27µm [50µ"] MIN. NICKEL.
 SHELL: 2.03µm [80µ"] MIN. NICKEL PLATED OVERALL.
- NO DATECODE ON PRODUCT SURFACE.
- REFLOW SOLDER CAPABLE TO 245°C PER TE TEST SPEC.
 109-201, CONDITION A.

W/	W/O	TAPE REEL	W/O	4-1734035-2
W/O	W/	TAPE REEL	W/O	1-1734035-3
	W/O	TAPE REEL	W/O	1-1734035-2
	N/A	TRAY	W/O	1-1734035-1
MYLAR	LONG CARRIER & COVER TAPE	PACKAGE	POST	PART NUMBER

THIS DRAWING IS A CONTROLLED DOCUMENT.		DWN	Tyco Electronics Tyco Electronics Corporation Taipei, Taiwan		
DIMENSIONS: MM		CHK	NAME		
TOLERANCES UNLESS OTHERWISE SPECIFIED:		APVD	MINI USB, R/A, SMT, B TYPE		
0 PLC ± 0.38		PRODUCT SPEC	SIZE CAGE CODE DRAWING NO RESTRICTED TO		
1 PLC ± 0.25		APPLICATION SPEC	A300779 ©=1734035		
2 PLC ± 0.13		WEIGHT	CUSTOMER DRAWING SCALE SHEET 2 OF 4 REV B1		
3 PLC ± 0.05					
4 PLC ±					
ANGLES ± 3°					
MATERIAL FINISH					

THIS DRAWING IS UNPUBLISHED. RELEASED FOR PUBLICATION
 © COPYRIGHT - BY TYCO ELECTRONICS CORPORATION. ALL RIGHTS RESERVED.

LOC	DIST	REVISIONS					
DW	-	P	LTR	DESCRIPTION	DATE	DWN	APVD
				SEE SHEET 1.			

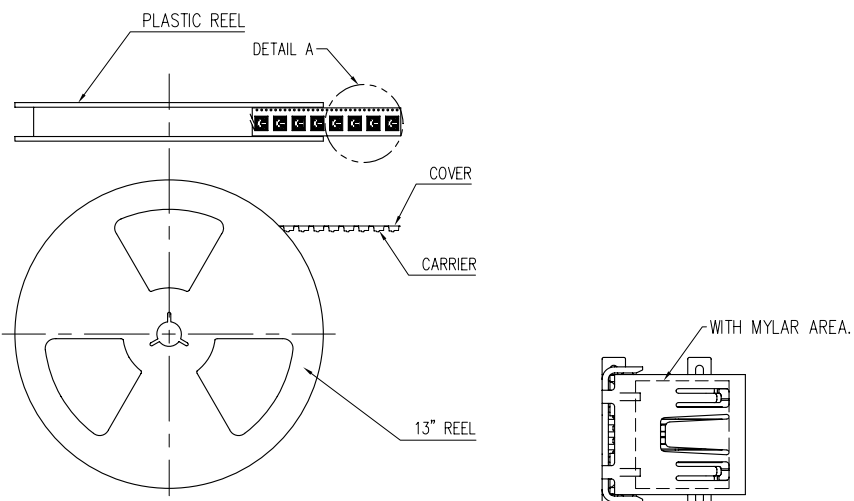


9.2 Kg	6.7 Kg	150	56	8400 PCS	2-1734035-1
					1-1734035-1
					1734035-1
GROSS WEIGHT	NET WEIGHT	PCS/TRAY	TRAYS/CARTON	QUANTITY	PART NUMBER

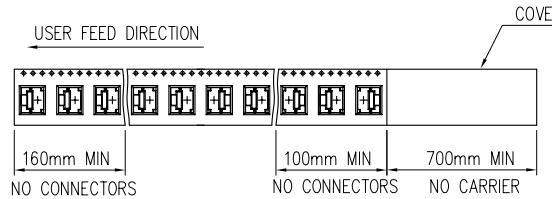
THIS DRAWING IS A CONTROLLED DOCUMENT.		DWN	Tyco Electronics Corporation Taipei, Taiwan		
DIMENSIONS: MM		CHK	NAME		
		APVD	MINI USB, R/A, SMT, B TYPE		
TOLERANCES UNLESS OTHERWISE SPECIFIED: 0 PLC ± - 1 PLC ± - 2 PLC ± - 3 PLC ± - 4 PLC ± - ANGLES ± -		PRODUCT SPEC	SIZE CAGE CODE DRAWING NO RESTRICTED TO		
MATERIAL		APPLICATION SPEC	A300779 ©=1734035		
FINISH		WEIGHT	CUSTOMER DRAWING		SCALE SHEET 3 OF 4 REV B1

THIS DRAWING IS UNPUBLISHED. RELEASED FOR PUBLICATION
 © COPYRIGHT - BY TYCO ELECTRONICS CORPORATION. ALL RIGHTS RESERVED.

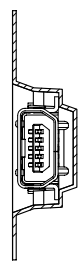
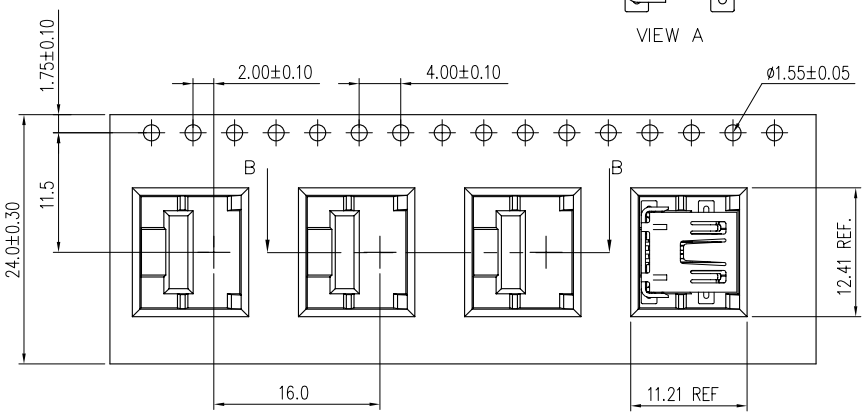
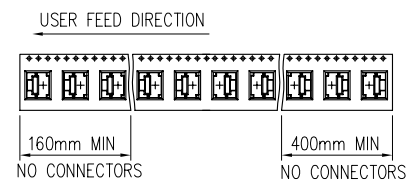
LOC	DIST	REVISIONS					
DW	-	P	LTR	DESCRIPTION	DATE	DWN	APVD
				SEE SHEET 1.			



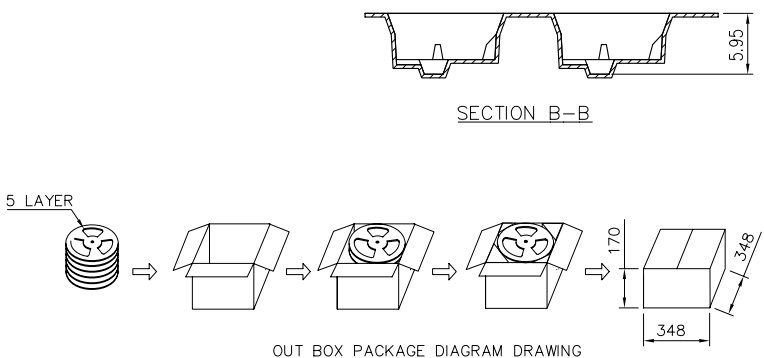
FOR 1734035-3, 1-1734035-3 AND 2-1734035-3 (LONG CARRIER & COVER TAPE)



FOR 1734035-2, 1734035-4, 1-1734035-2, 3-1734035-2, 2-1734035-2 AND 2-1734035-4 4-1734035-2



6.5 Kg	5.5 Kg	700	5	3500	W/	W/O	4-1734035-2
					W/O	W/O	3-1734035-2
					W/	W/O	2-1734035-4
					W/O	W/	2-1734035-3
					W/O	W/O	2-1734035-2
					W/O	W/	1-1734035-3
					W/O	W/O	1-1734035-2
					W/	W/O	1734035-4
					W/O	W/	1734035-3
W/O	W/O	1734035-2					
GROSS WEIGHT	NET WEIGHT	PCS/REER	REERS / CARTON	QUANTITY	MYLAR	LONG CARRIER & COVER TAPE	PART NUMBER



THIS DRAWING IS A CONTROLLED DOCUMENT.

DIMENSIONS: MM	TOLERANCES UNLESS OTHERWISE SPECIFIED:	DWN	Tyco Electronics Corporation Taipei, Taiwan NAME MINI USB, R/A, SMT, B TYPE SIZE CAGE CODE DRAWING NO A3 00779 ©=1734035 RESTRICTED TO
	0 PLC ± -	CHK	
	1 PLC ± -	APVD	
	2 PLC ± -	PRODUCT SPEC	
	3 PLC ± -	APPLICATION SPEC	
MATERIAL	FINISH	WEIGHT	SCALE

CUSTOMER DRAWING SHEET 4 OF 4 REV B1